



NASI
BoatLife
INFLATABLE



USER MANUAL

RIB 180

RIB 240

RIB 320

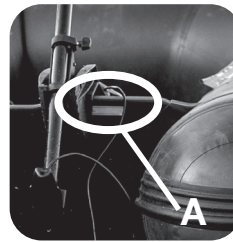
(EN)



Congratulations on purchasing a Nash Inflatable Boat. Register your boat to benefit from an extended 24 month warranty here: <https://register.nashtackle.co.uk>

NOTE:

For registration you will be required to upload a photo or scanned copy of your proof of purchase. The serial number is found on the plate at the rear of the boat (see diagram A).



**2 YEAR
GUARANTEE**



WARNING

- Do not inflate one chamber of the boat in full at a time as this causes unnecessary stress to the inside bulkhead.
- Maintain similar balance of air in each chamber so the bulkheads that divide the main air chambers are maintained so that there is equal pressure and approximate inflated size on each side of the bulkhead.
- Over inflation can cause structural damage to your boat. Do not allow your boat to stand in direct sunlight when out of the water, as this may cause expansion to the point of damage or bursting.

NASH INFLATABLE BOATS

Thank you for purchasing a Nash Inflatable Boat. Please read the information in this user guide for your own safety and correct care of your boat. Keep this manual onboard where it will remain dry. If you sell your boat ensure the user guide is passed to the new owner.

BOAT SPECIFICATION

MODEL	FLOOR	OVERALL LENGTH	OVERALL WIDTH	NO. OF CHAMBERS	NET WEIGHT	MAX POWER	MAX LOAD (KG)	MAX PERSON	CE/UKCA PLATE
RIB-180SL	CFRP Slat	180cm	126cm	2	24.5KG	2.5KW/3.5HP	250	2	ISO 9001:2015
RIB-240SL	CFRP Slat	240cm	151cm	3	33.5KG	4.4KW/6HP	350	3	ISO 9001:2015
RIB-320SL	CFRP Slat	320cm	162cm	3	49.5KG	7.5KW/10HP	525	4+1	CE EN6185-2

YOUR BOAT AND THE ENVIRONMENT

- Always use your boat with respect for the environment around you.
- Avoid exceeding the noise threshold and producing excessive fuel vapours.
- Your boat generates waves and noise that can be detrimental to the natural environment.
- Learn, understand and comply with local boating laws and regulations.

SAFETY INSTRUCTIONS

Read the instructions carefully.

- Nash Inflatable Boats are not designed for use in the sea.
- Carefully read the instruction manual provided with your choice of outboard engine should you choose to use one.
- It is the responsibility of the boat operator to learn and know the laws applicable to a boat and abide by them regarding how it is to be equipped and operated.
- The applicable laws and regulations in force may change and differ according to the following factors:
 1. the location where the boat is commissioned
 2. the requirements of the local authorities
 3. the type of use of the boat
 4. the time of day
 5. the operating conditions
 6. the size, speed, route, type of boat (power, oars, etc.)
 7. the navigation mode
- All passengers onboard must wear appropriate clothing and have a life jacket.
- Make sure that the boat's standard equipment (oars, air pump and repair kit) is on board. Survival equipment other than the mandatory items is sometimes necessary.
- An individual under the influence of drugs or alcohol is not in a condition to pilot a boat.
- Do not exceed the maximum load rating and the maximum engine power indicated on the boats manufacturers plate.
- Special attention should be given to wind and currents, as their variation will affect fuel consumption.



- If you plan to navigate in unfamiliar waters, consult with those familiar with the area concerning possible hazards and dangers.
- Always report your time and point of departure, your route and your estimated time of return to someone on shore.
- Do not navigate in the dark or in hazardous conditions if correct navigation lighting has not been installed.
- Do not use a compressed air source to inflate the boat. Over inflation may cause the seams and/or walls to rupture.
- Whether oars or a small outboard motor is used depends on conditions. The power may not be enough to counter currents, small channels or shallow water.
- Respect maximum power rating for your boat. An excessively powerful motor may cause manoeuvrability and stability hazards.
- Equip your outboard engine with an emergency kill-switch cord. This switch will stop the engine if the operator should pull the cord, for any reason whatsoever.
- Regularly check that the engine is securely fastened. Loose screws may make the craft uncontrollable or result in the engine becoming detached!

NAVIGATION WARNINGS

- All passengers must be seated inside the boat and must be able to hold on with one or both hands. Do not sit on the air chambers.
- Outboard engines are dangerous. Rough handling of your tender may lead to serious injury or death.
- Never equip a boat with an engine for which it is not adapted. Stay clear of swimmers and do not allow them to approach the rear of the boat when the engine is running.
- Avoid rapid accelerations which may cause passengers to fall overboard.
- Weight must be evenly distributed. Do not accelerate suddenly if your boat is motorised and not heavily laden. A poorly controlled boat may result in stability and manoeuvring problems.
- Avoid sand banks and shallow water or approach with extreme caution.
- If one of the chambers becomes punctured, shift the load of the boat to the opposite side. Try to limit the leak with your hand or a strap and head for the nearest safe landing area as quickly as possible.
- Do not allow children to drive the boat unsupervised by adults.
- Always bring your oars along snapped in place.

DOCKING

- Do not use the engine when landing on the beach.
- Avoid sharp objects when coming to dock or shore.
- Do not drag the boat over rocks, sand, shingle or tarred surfaces.
- Always carry the boat.
- Cover the boat when leaving it in the sun out of the water for long periods of time.
- If leaving the boat on a beach leave part of the boat in the water to cool the boat and avoid air chamber overpressure.
- It is not recommended that you tow the boat the front ring is for mooring or securing an anchor line to only.

FOOTPUMP

WARNING:

- Do not use a compressed air source to inflate the boat. Over inflation may cause the seams and/or walls to rupture.
- Use the specially designed pump to inflate your boat.
- The Foot Pump can deliver the air pressure needed to fully inflate your boat. To inflate, insert the hose into the outlet hole on the pump. We recommend you always carry your foot pump on board for safety.
- Before undertaking a long trip, inflate the boat for a full 24 hours to be sure all chambers are completely airtight.

CAUTION:

Before boarding, always check the boat is adequately inflated.





CFRP SLAT DECK BOAT ASSEMBLY INSTRUCTIONS

1. Clear a flat space (making sure it is clean and free of sharp objects) to unfold your boat. Remove the hull from its box and take it out of the boat bag. Unroll the hull so it laid out flat.
2. Inflate the boat with the high pressure foot pump to 90%. Start to pump up the boat on the tube section with the overpressure security valve.

Note: Do not use an air compressor. Damage to your boat caused by over inflation from an air compressor is not covered by your warranty.

3. Install the seat by sliding the flanges on the bottom of the seat onto the rails located on the side floaters.
4. Finish inflating all hull chambers to 100%, or 0.25 bar pressure. The boats main tube has a built in overpressure valve for added security.
5. Secure the oars by clipping into the oar locks.

DEFLATION

Remove the outer valve caps to expose the plastic stem on the inner valve. Press the stem in to release air pressure, and turn it to lock the valve in the open position. Deflate each hull chamber to 50-75% before completely deflating any of the air chambers.

Note: Do not deflate one chamber fully while others are fully inflated. This could damage the bulkheads of your boat.

MAINTENANCE & STORAGE

- To clean hose off sand and loose dirt and let dry before fully packing away. Most dirt can be removed with a garden hose, a sponge and mild soap. Do not use harsh chemical cleaners.
- Never use polishing or cleaning products containing alcohol to clean your watercraft. Doing so may lead to degradation of the air chamber material.
- Store in a clean and dry place. Do not store in extreme temperatures (i.e. over 150F/below - 10F).
- If storing your boat for long periods folded up in the bag, ensure it is fully dry, do not cover or coat with talcum powder or other similar powders.
- Can be stored inflated or deflated.
- If left outside it is advisable to raise the boat up off the ground.
- If it is going to be in direct sunlight or exposed to leaves, berries or rain, cover it with a tarpaulin.
- Hanging the boat is not recommended.
- If you leave the boat in the water, you will probably have to drain out rainwater at times. If you store it in a closet, basement or garage, we suggest you pick a cool, dry spot, making sure the boat is clean and dry before you pack it up - or mould can accumulate.
- Never store a boat with fuel in the tank in a room where the fuel vapours may reach a flame, spark or a strong source of heat.

TROUBLESHOOTING

1. Leaks

After 2 or 3 days there may be a small decrease of pressure due to temperature change. If so, add a few pumps of air into each chamber. If you are losing air pressure, and it isn't due to colder temperatures, check the boat over for leaks, starting with the valves. The best tool to find leaks is soapy water in a spray bottle. We recommend mixing soap and water in a spray bottle. Spray around the valve. If you see bubbles forming, check your valve seating and base and be sure the valve insert is screwed tight. If you continue to have problems contact support@nashtackle.co.uk to order new valves. Replacement of the whole valve can be done with a simple tool that comes with a replacement valve.

2. Finding punctures

If the boat is losing air, and all the valves are airtight you probably have a small puncture. Small punctures can be repaired easily and permanently. Spray around the inside and outside of the hull until air bubbles mark the position of the leak. If you have no luck finding a slow leak with air bubbles, inflate the boat to maximum air pressure and try to listen to find the leak. If you can narrow the area down, return with a spray bottle to identify the source of the leak.

Making small repairs

Punctures less than 3mm/1/8" in size can be repaired simply without a patch. Deflate your boat, then clean and dry area to be repaired.

Apply a small drop of glue to cover the puncture, and let it dry for 12 hours. If you need to get on the water sooner, let it dry for 30 minutes and then inflate the boat, inflating the compartment with the repair only 3/4 full. This repair might not be permanent so add a drop again at a later date to make it permanent.

3. Rips or Tears

Your boat comes with a repair kit as standard equipment. Cut a piece of repair material large enough to overlap the damaged area by approximately 12mm / 1/2" and round off the edges. Apply our glue to the underside of patch and around the area to be repaired. Too much glue will interfere with a proper repair. Allow adhesive to become tacky for 2-4 minutes, and then place patch on the damaged area.

Use a weight to apply 3-5 lbs. of pressure for 12 hours. After the patch has dried, apply glue around the edges for a complete seal (dry in 4 hours).

4. Large and Difficult Repairs

If you have a difficult repair, contact support@nashtackle.co.uk and we will advise you on the best way to fix your boat.



5. If you see water coming into the boat, check the following:

1. Is the drain valve open?
2. Is the diaphragm in the drain valve working properly?
3. Has it rained recently?
4. Is there a hole in the floor?

Warranty Registration

You can register a warranty for this product online at the Nash Tackle website - www.nashtackle.com and follow the instructions for product registration on the product listing page or visit <https://register.nashtackle.co.uk/> You will need a scan or photo of your proof of purchase to complete the registration.

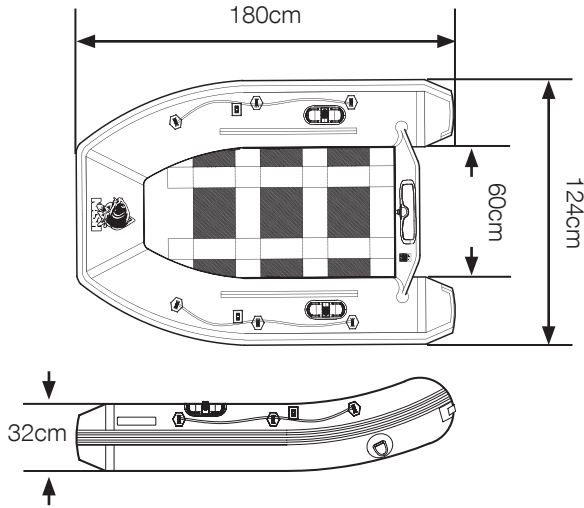
The warranty does not cover the following:

1. Over inflation of tubes no more than 0.25bar/3.63psi
2. Over inflation of the air deck no more than 0.69bar/10psi.
3. Air loss due to temperature differences
4. Air loss through the pressure valve in hot conditions
5. Folding marks. This is normal, and these will disappear during use.
6. Glue residue. All Nash boats are hand made and the occasional glue mark may be visible.
7. Small imperfections on glued parts, which do not affect the usability.
8. Low air loss within 48 hours (up to 20% air loss in comparison to operating pressure).
9. Damage caused by carelessness in use for example cigarettes, hooks.
10. Damage caused from towing your boat, or using your boat to tow another boat.
11. Damage caused by the use of solvents of any kind
12. Damage caused by battery acid, oil and fuel.
13. Damage caused by nail polish, suntan lotion/oil.
14. Damage caused by insect repellent.
15. Damage caused by improper use.
16. Damage caused by high pressure cleaning.
17. Damage caused by the use of aggressive cleaning agents.
18. Damage caused by incorrect assembly and disassembly of the boat.
19. Damage caused by improper storage, poor ventilation.
20. Damage caused by inadequate cleaning and maintenance of the boat.
21. Damage in transit.
22. Damage caused by use of pressure compressors to inflate or deflate the boat.
23. Damage due to normal wear and tear.
24. Damage caused by use of force.
25. Damage caused by animals on or in the boat.
26. Damage caused by water in the tube interior.
27. Damage to the hull as a result of carelessness, as well as external influences.
28. Damage caused by participation in racing events of any kind.
29. Damage caused by use of non-approved accessories.
30. Damage caused by exceeding the maximum acceptable power KW/HP as well as the permissible engine weight.
31. Damage caused by exceeding the permissible payload, and the recommended number of people.

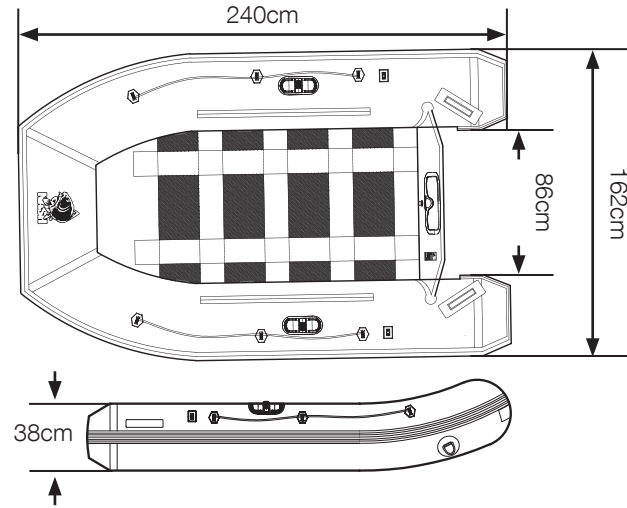
*Your statutory rights shall remain unaffected.



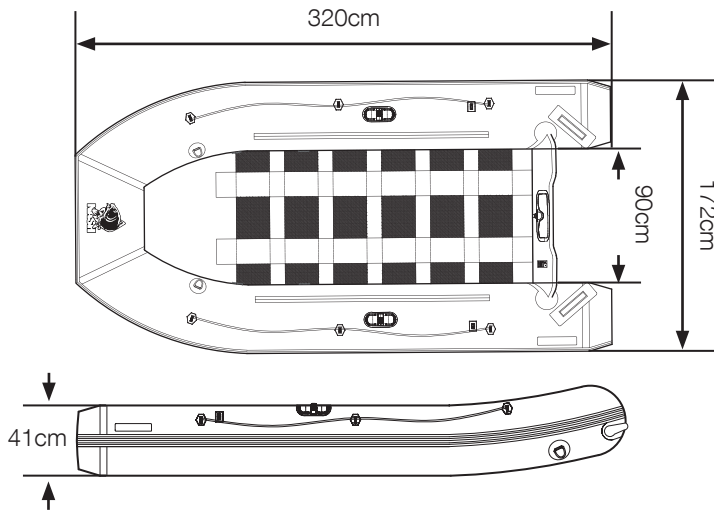
RIB180



RIB240



RIB320



If you have a problem with your boat that is covered by the warranty you should proceed as follows:

1. Contact your place of purchase and explain the problem.
2. The retailer will need to contact support@nashtackle.co.uk with a photograph and explanation of the problem along with proof of purchase.
3. We will confirm if the problem is covered by the warranty.
4. Once confirmed the retailer needs to send a courier return request to Support Department and we will arrange collection of the boat.
5. We will then review the boat and arrange repair or replacement accordingly.

INFLATING THE OPTIONAL AIR DECK (*RIB 320 ONLY)

1. Find a flat surface where boat will be assembled, removing any sharp objects
2. Unfold and spread the boat out flat
3. Inflate the boat tubes at the bow, starboard and portside to around 50% capacity
4. When you want to use seat, place it when the boat tubes are inflated to around 50%
5. Locate the Air Deck in the base of the boat and inflate it to around 70%
6. Inflate bow, starboard and portside tubes to 100%
7. Inflate Air Deck to 100%

NOTE: Maximum inflation pressure of the Air Deck is 10 PSI (0.69 Bar)



(FR)



Félicitations pour l'achat d'un bateau pneumatique Nash. Enregistrez votre bateau pour bénéficier d'une extension de garantie de 24 mois ici: <https://register.nashtackle.co.uk>

REMARQUE: Pour vous inscrire, vous devrez télécharger une photo ou une copie numérisée de votre preuve d'achat. Le numéro de série se trouve sur la plaque à l'arrière du bateau.



**2 YEAR
GUARANTEE**



ATTENTION

- Ne pas gonfler à 100% qu'une chambre, car cela causerait une contrainte inutile à la cloison intérieure.
- Maintenez un équilibre d'air similaire dans chaque chambre afin que les cloisons qui divisent les chambres à air soient maintenues à pression égale.
- Un gonflage excessif peut causer des dommages à votre bateau. Ne laissez pas votre bateau à la lumière directe du soleil lorsqu'il est hors de l'eau, car cela pourrait provoquer des dommages ou de l'éclatement des chambres.

BATEAUX GONFLABLES NASH

Merci d'avoir acheté un bateau pneumatique Nash. Veuillez lire les informations contenues dans ce guide d'utilisateur pour votre sécurité et le bon entretien de votre bateau. Conservez ce manuel. Si vous vendez votre bateau, assurez-vous que ce guide soit transmis au nouveau propriétaire.

BOAT SPECIFICATION

MODÈLE	PLANCHER	LONGUEUR TOTALE	LARGEUR TOTALE	NOMBRE DE CHAMBRE	POIDS NET	PUISSANCE MAX	CHARGE MAXIMUM (KG)	NOMBRE MAX	DE PERSONNE PLAQUE CE
RIB-180SL	CFRP Slat	180cm	126cm	2	24.5KG	2.5KW/3.5HP	250	2	ISO 9001:2015
RIB-240SL	CFRP Slat	240cm	151cm	3	33.5KG	4.4KW/6HP	350	3	ISO 9001:2015
RIB-320SL	CFRP Slat	320cm	162cm	3	49.5KG	7.5KW/10HP	525	4+1	CE EN6185-2

VOTRE BATEAU ET L'ENVIRONNEMENT

- Utilisez toujours votre bateau dans le respect de l'environnement.
- Évitez de dépasser le seuil de bruit et de rejeter excessivement des vapeurs de carburant.
- Votre bateau génère des vagues et du bruit qui peuvent nuire à l'environnement.
- Apprenez, comprenez et respectez les lois et règlements de navigation locale

Instructions de sécurité

Lisez attentivement les instructions de sécurité.

- Les bateaux pneumatiques Nash ne sont pas conçus pour être utilisés en mer.
- Lisez attentivement le manuel d'instructions fourni avec votre moteur hors-bord si vous choisissez d'en utiliser un.
- Il est de la responsabilité du conducteur de l'embarcation d'apprendre et de connaître les lois applicables à un bateau et de les respecter concernant la façon dont
- il doit être équipé et exploité.
- Les lois et règlements applicables en vigueur peuvent changer et différer selon les facteurs suivants :
 1. le lieu où le bateau est utilisé
 2. les exigences des autorités locales
 3. le type d'utilisation du bateau
 4. l'heure de la journée
 5. les conditions du moment
 6. la taille, la vitesse, l'itinéraire, le type de bateau (puissance, rames, etc.)
 7. le mode navigation
- Tous les passagers à bord doivent porter des vêtements appropriés et avoir un gilet de sauvetage.
- Assurez-vous que l'équipement standard du bateau (rames, pompe à air et kit de réparation) soit à bord. Des équipements de survie autre que les articles obligatoires sont parfois nécessaires.
- Une personne sous l'influence de drogues ou d'alcool n'est pas en état de piloter une embarcation.
- Ne pas dépasser la charge nominale maximale et la puissance maximale du moteur indiquées sur la plaque du fabricant du bateau.
- Il faut porter une attention particulière au vent et aux courants, car leur variation influera sur la consommation de carburant.
- Si vous prévoyez de naviguer dans des eaux inconnues, consultez des personnes qui connaissent les dangers de la région.



- Signalez toujours votre heure, votre point de départ, votre itinéraire et l'heure approximative de votre retour à quelqu'un à terre.
- Ne pas naviguer dans l'obscurité ou dans des conditions dangereuses si un bon éclairage de navigation n'a pas été installé.
- Ne pas utiliser de compresseur à air pour gonfler le bateau. Le gonflement excessif peut provoquer la rupture des joints ou des parois.
- L'utilisation d'un petit moteur hors-bord dépend des conditions. La puissance peut ne pas être suffisante pour contrer les courants, sur les petits canaux ou les eaux peu profondes.
- Respectez la puissance maximale du moteur équipant votre bateau. Un moteur trop puissant peut présenter des risques de manœuvrabilité et de stabilité.
- Équipez votre moteur hors-bord d'un cordon d'arrêt d'urgence. Cet interrupteur arrêtera le moteur en cas de danger.
- Vérifier régulièrement la fixation du moteur. Des vis desserrées peuvent rendre l'engin incontrôlable ou provoquer le détachement du moteur!

Avertissements sur la navigation

- Tous les passagers doivent être assis à l'intérieur de l'embarcation et être en mesure de s'y accrocher d'une ou des deux mains. Ne pas s'asseoir sur les chambres à air.
- Les moteurs hors-bord sont dangereux. Une manipulation brutale peut entraîner des blessures graves ou la mort.
- Ne jamais équiper un bateau d'un moteur trop puissant. Restez à l'écart des nageurs et ne les laissez pas approcher l'arrière du bateau lorsque le moteur tourne.
- Éviter les accélérations rapides qui peuvent faire tomber les passagers par-dessus bord.
- Le poids doit être réparti uniformément. N'accélérez pas soudainement si votre bateau n'est pas lourdement chargé. Un mauvais contrôle du bateau peut entraîner des problèmes de stabilité et de manœuvre.
- Éviter les bancs de sable et les eaux peu profondes ou approchez-les avec une extrême prudence.
- Si l'une des chambres est perforée, déplacer la charge du bateau sur le côté opposé. Essayez de limiter la fuite avec votre main ou une sangle et de trouver le point d'accostage le plus proche le plus rapidement possible.
- Ne laissez pas les enfants piloter le bateau.
- Mettez toujours vos rames en place..

Accostage

- Ne pas utiliser le moteur lors de l'accostage.
- Éviter les objets pointus en arrivant à quai ou sur la rive.
- Ne pas traîner le bateau sur des rochers, du sable, des galets ou des surfaces goudronnées.
- Portez toujours le bateau.
- Couvrir le bateau lorsqu'il est laissé au soleil hors de l'eau pendant de longues périodes.
- Si vous laissez le bateau sur une plage, laissez une partie du bateau à l'eau pour le refroidir et éviter la surpression de la chambre à air.
- Il n'est pas recommandé de remorquer l'embarcation car l'anneau avant ne sert qu'à l'amarrage ou à l'arrimage d'une ancre.

FOOTPUMP

Conseil d'utilisation pour le gonfleur à pied:

- Ne pas utiliser de compresseur à air pour gonfler le bateau. Le gonflement excessif peut provoquer la rupture des joints ou des parois.
- Utilisez la pompe spécialement conçue pour gonfler votre bateau.
- La pompe à pied peut fournir la pression d'air nécessaire pour gonfler complètement votre bateau. Pour gonfler, insérez le tuyau dans le trou de sortie d'air de la pompe. Nous vous recommandons de toujours transporter votre pompe à pied à bord pour plus de sécurité.
- Avant d'entreprendre un long voyage, gonflez le bateau pendant 24 heures pour vous assurer que toutes les chambres sont complètement étanches.

Avertissement:

Vérifiez toujours que le bateau soit suffisamment gonflé avant d'embarquer.





INSTRUCTIONS D'ASSEMBLAGE DES BATEAUX à LATTES CFRP

1. Dégagez un espace plat (assurez-vous qu'il est propre et exempt d'objets pointus) pour déplier votre bateau. Retirez le bateau de sa housse. Déroulez la coque afin qu'elle soit à plat.

2. Gonflez le bateau avec la pompe à pied haute pression à 90 %. Commencez à gonfler le bateau par la chambre avec la soupape de sécurité de surpression.

Remarque: Ne pas utiliser de compresseur d'air. Les dommages causés à votre bateau par le gonflage excessif avec un compresseur à air ne sont pas couverts par la garantie.

3. Installer le banc en en le faisant glisser sur les rails situés sur les flotteurs latéraux.

4. Terminer de gonfler toutes les chambres du bateau à 100 %, ou 0,25 bar de pression. Le tube principal des bateaux est muni d'une soupape de surpression intégrée pour plus de sécurité.

5. Fixer les rames.

DEGONFLAGE

Retirer les bouchons de vanne. Appuyer sur la tige pour relâcher la pression d'air et la tourner pour verrouiller la vanne en position ouverte. Dégonfler chaque chambre à 50-75% avant de dégonfler complètement toutes les chambres.

Remarque: Ne pas dégonfler complètement une chambre alors que les autres sont complètement gonflées. Cela pourrait endommager les cloisons de votre bateau.

ENTRETIEN & RANGEMENT

- Laver le bateau au jet d'eau afin de retirer toutes les saletés et le sable qui pourraient l'endommager puis bien le laisser sécher. La plupart des saletés peuvent être enlevées avec un tuyau d'arrosage, une éponge et un savon doux. N'utilisez pas de nettoyeurs chimiques agressifs.
- N'utilisez jamais de produits de polissage ou de nettoyage contenant de l'alcool pour nettoyer votre bateau. Cela pourrait entraîner une dégradation du matériau de la chambre à air.
- Rangez-le toujours dans un endroit propre, sec et tempéré (soit entre 65 et -20°C).
- Si vous stockez votre bateau pendant de longues périodes replié dans son sac, assurez-vous qu'il est parfaitement sec, ne le recouvrez pas et ne l'endiguez pas de talc ou d'autres poudres du même genre.
- Il peut être rangé gonflé ou dégonflé.
- Si vous le rangez à l'extérieur, il est conseillé de le maintenir surélevé.
- S'il risque d'être exposé au soleil, à la pluie ou à proximité d'arbres, il est vivement conseillé de le recouvrir d'une bâche.
- Il n'est pas recommandé de le suspendre.
- Si vous laissez le bateau dans l'eau, vous devrez probablement évacuer de l'eau de pluie de temps en temps. Si vous le rangez dans un placard, un sous-sol ou un garage, nous vous conseillons de choisir un endroit frais et sec, en vous assurant que le bateau reste propre et sec avant de le ranger - il est important d'éviter tout risque de moisissure.
- Ne jamais ranger votre bateau avec du carburant dans le réservoir dans une pièce où les vapeurs de carburant peuvent atteindre une flamme, une étincelle ou une forte source de chaleur.

DÉPANNAGE

1. Fuites

Après 2 ou 3 jours, il peut y avoir une légère baisse de pression due au changement de température. Si c'est le cas, ajoutez quelques pompes d'air dans chaque chambre. Si vous perdez de la pression d'air et que cela n'est pas dû à des températures plus froides, vérifiez l'étanchéité du bateau, en commençant par les valves. Le meilleur outil pour trouver des fuites est de l'eau savonneuse dans un flacon pulvérisateur. Nous recommandons de mélanger du savon et de l'eau dans un flacon pulvérisateur. Vaporisez autour de la valve. Si vous voyez des bulles se former, vérifiez la base de la valve et assurez-vous que l'insert de la valve est bien vissé. Si vous continuez à avoir des problèmes, contactez support@nashtackle.co.uk pour commander de nouvelles vannes. Le remplacement de l'ensemble de la valve peut être effectué à l'aide d'un simple outil fourni avec une valve de rechange.

2. Trouver des crevaisons

Si le bateau perd de l'air et que toutes les vannes sont étanches, vous avez probablement une petite crevaison. Les petites crevaisons peuvent être réparées facilement et définitivement. Vaporisez autour de l'intérieur et de l'extérieur du boudin jusqu'à ce que des bulles d'air marquent la position de la fuite. Si vous n'arrivez pas à trouver une fuite lente avec des bulles d'air, gonflez le bateau à la pression d'air maximale et essayez d'écouter pour trouver la fuite. Si vous pouvez réduire la zone, revenez avec un flacon pulvérisateur pour identifier la source de la fuite.

Faire de petites réparations

Les crevaisons de moins de 3 mm / 1/8 "de taille peuvent être réparées simplement sans rustines. Dégonflez votre bateau, puis nettoyez et séchez la zone à réparer.

Appliquez une petite goutte de colle pour recouvrir la crevaison et laissez sécher pendant 12 heures. Si vous devez vous mettre à l'eau plus tôt, laissez sécher 30 minutes puis gonflez le bateau en gonflant le compartiment avec la réparation seulement aux 3/4 plein. Cette réparation peut ne pas être permanente, alors ajoutez une goutte à nouveau à une date ultérieure pour la rendre permanente.





3. Déchirures

Votre bateau est livré avec un kit de réparation. Coupez un morceau de matériau de réparation suffisamment grand pour recouvrir la zone endommagée d'environ 12 mm / 1/2" et arrondir les bords. Appliquez notre colle sur le dessous du patch et autour de la zone à réparer. Trop de colle interférera avec une bonne réparation. Laissez l'adhésif devenir collant pendant 2 à 4 minutes, puis placez le patch sur la zone endommagée.

Utilisez un poids pour appliquer 2 - 3kg de pression pendant 12 heures. Une fois le patch sec, appliquez de la colle sur les bords pour une étanchéité complète (séchage en 4 heures).

4. Réparations importantes et difficiles

Si vous avez une réparation difficile, contactez support@nashtackle.co.uk et nous vous conseillerons sur la meilleure façon de réparer votre bateau.

5. Si vous voyez de l'eau entrer dans le bateau, vérifiez ce qui suit:

1. Le robinet de vidange est-il ouvert ?
2. Le diaphragme du robinet de vidange fonctionne-t-il correctement ?
3. A-t-il plu récemment ?
4. Y a-t-il un trou dans le plancher ?

Enregistrement de garantie

Vous pouvez enregistrer une garantie pour ce produit en ligne sur le site Web de Nash Tackle - www.nashtackle.com et suivre les instructions d'enregistrement du produit sur la page de liste des produits ou visiter <https://register.nashtackle.co.uk/> Vous aurez besoin d'un scan ou photo de votre preuve d'achat pour compléter l'enregistrement.

La garantie ne couvre pas les éléments suivants:

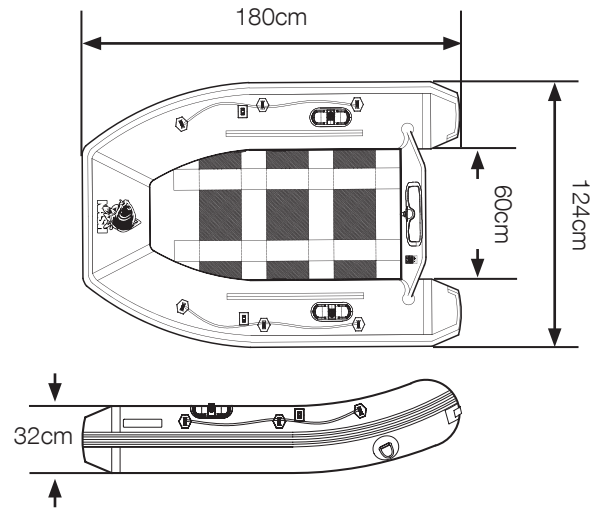
1. Surgonflage des boudins à plus de 0,25 bar/3,63 psi
2. Surgonflage du plancher gonflable à plus de 0.69bar/10psi.
3. Perte d'air due aux différences de température
4. Perte d'air à travers la valve de pression dans des conditions chaudes
5. Marques de pliage. Ceci est normal et ceux-ci disparaîtront pendant l'utilisation.
6. Résidus de colle. Tous les bateaux Nash sont fabriqués à la main et la marque de colle occasionnelle peut être visible.
7. Petites imperfections sur les pièces collées, qui n'affectent pas l'utilisation.
8. Faible perte d'air en 48 heures (jusqu'à 20 % de perte d'air par rapport à la pression de service).
9. Dommages causés par une négligence lors de l'utilisation, par exemple des cigarettes, des hameçons.
10. Les dommages causés par le remorquage de votre bateau ou l'utilisation de votre bateau pour remorquer un autre bateau.
11. Dommages causés par l'utilisation de solvants de toute nature
12. Dommages causés par l'acide de batteries, l'huile et le carburant.
13. Dommages causés par le vernis à ongles, la lotion/huile solaire.
14. Dommages causés par un insecticide.
15. Dommages causés par une mauvaise utilisation.
16. Dommages causés par le nettoyage à haute pression.
17. Dommages causés par l'utilisation de produits de nettoyage agressifs.
18. Dommages causés par un montage et un démontage incorrects du bateau.
19. Dommages causés par un stockage inapproprié, une mauvaise ventilation.
20. Dommages causés par un nettoyage et un entretien inadéquats du bateau.
21. Dommage pendant le transport.
22. Dommages causés par l'utilisation de compresseurs à pression pour gonfler ou dégonfler le bateau.
23. Dommages dus à l'usure normale.
24. Dommages causés par l'usage de la force.
25. Dommages causés par des animaux sur ou dans le bateau.
26. Dommages causés par l'eau à l'intérieur du tube.
27. Dommages à la toile dus à une négligence, ainsi qu'à des influences extérieures.
28. Dommages causés par la participation à des événements de course de toute nature.
29. Dommages causés par l'utilisation d'accessoires non homologués.
30. Dommages causés par le dépassement de la puissance maximale admissible KW/CV ainsi que du poids moteur autorisé.
31. Dommages causés par le dépassement de la charge utile autorisée et du nombre de personnes recommandé.

*Vos droits statutaires ne sont pas affectés.

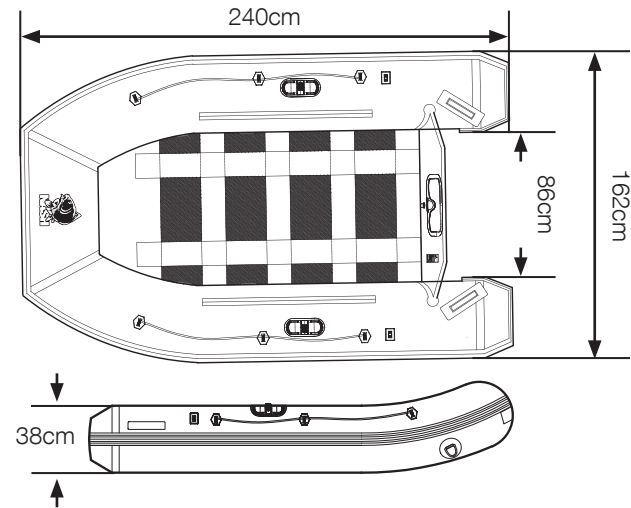




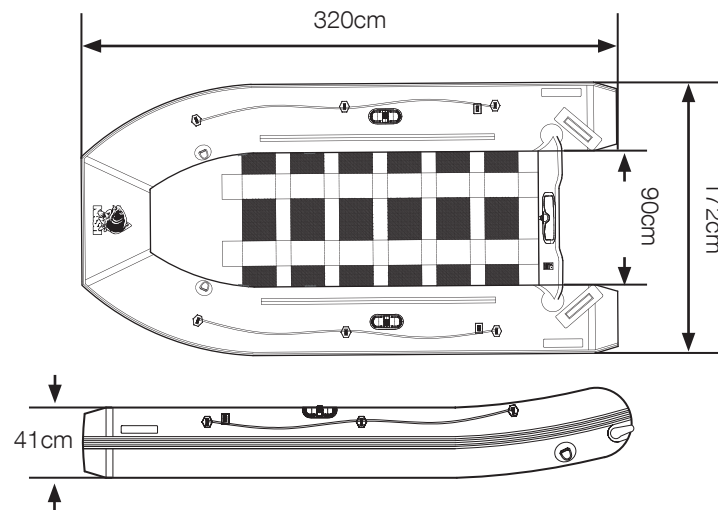
RIB180



RIB240



RIB320



Si vous avez un problème avec votre bateau qui est couvert par la garantie, vous devez procéder comme cela:

1. Contactez votre revendeur et expliquez lui le problème.
2. Le détaillant devra contacter support@nashtackle.co.uk avec une photo et une explication du problème ainsi qu'une preuve d'achat.
3. Nous confirmerons si le problème est couvert par la garantie.
4. Une fois confirmé, le revendeur doit envoyer une demande de retour par courrier au service d'assistance et nous organiserons la collecte du bateau.
5. Nous examinerons ensuite le bateau et organiserons la réparation ou le remplacement en conséquence.

PLANCHER GONFLAGE OPTIONNEL (*RIB 320 UNIQUEMENT)

1. Trouvez une surface plane où assembler le bateau, en enlevant tous les objets pointus
2. Déplier et étaler le bateau
3. Gonflez la chambre avant du bateau, puis la gauche et la droite à environ 50% de leur capacité
4. Pour l'installation du banc, placez-le lorsque les tubes du bateau sont gonflés à environ 50%.
5. Placez le plancher gonflable à la base du bateau et gonflez-le à environ 70%
6. Gonflez les chambres avant, gauche et droite à 100%
7. Gonflez le plancher à 100%

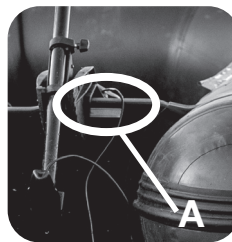
REMARQUE: La pression de gonflage maximale du plancher est de 10 PSI (0.69 Bar)



(DE)

Herzlichen Glückwunsch zum Kauf eines Schlauchboots von Nash. Registrieren Sie Ihr Boot hier, um von einer 24 monatigen Garantieverlängerung zu profitieren:
<https://register.nashtackle.co.uk>

HINWEIS: Für die Registrierung müssen Sie ein Foto oder eine gescannte Kopie Ihres Kaufbelegs hochladen. Die Seriennummer befindet sich auf dem Schild am Heck des Bootes (siehe Diagramm A).



**2 YEAR
GUARANTEE**



WARNUNG

- Pumpen sie nicht eine Kammer des Bootes vollständig auf, da dies unnötige Belastungen für das innere Schott verursacht.
- Halten sie in jeder Kammer ein ähnliches Luftgleichgewicht aufrecht, damit die Trennwände, welche die Hauptluftkammern teilen, so gehalten werden, dass auf jeder Seite der Trennwand der gleiche Druck und die ungefähr gleiche Größe herrschen.
- Übermäßiges Aufpumpen kann zu strukturellen Schäden an ihrem Boot führen. Lassen sie ihr Boot außerhalb des Wassers nicht in direktem Sonnenlicht stehen, da dies zu einer Ausdehnung bis hin zur Beschädigung oder zum Bersten führen kann.

NASH SCHLAUCHBOOTE

Vielen Dank, dass Sie sich für ein Nash-Schlauchboot entschieden haben. Bitte lesen Sie die Informationen in dieser Bedienungsanleitung zu Ihrer eigenen Sicherheit und zur richtigen Pflege Ihres Bootes. Bewahren Sie diese Anleitung an Bord auf, damit sie trocken bleibt. Wenn Sie Ihr Boot verkaufen, geben Sie die Bedienungsanleitung an den neuen Besitzer weiter.

BOOT SPEZIFIKATIONEN

MODELL	BODEN	GESAMT LÄNGE	GESAMT BREITE	ANZAHL KAMMERN	NETTO GEWICHT	MAX. MOTORISIERUNG	MAX BELADUNG (KG)	MAX PERSONEN	CE-PLAKETTE
RIB-180SL	CFRP Slat	180cm	126cm	2	24.5KG	SIERUNG	250	2	ISO 9001:2015
RIB-240SL	CFRP Slat	240cm	151cm	3	33.5KG	4.4KW/6HP	350	3	ISO 9001:2015
RIB-320SL	CFRP Slat	320cm	162cm	3	49.5KG	7.5KW/10HP	525	4+1	CE EN6185-2

IHR BOOT UND DIE UMWELT

- Benutzen Sie Ihr Boot immer mit Rücksicht auf die Umwelt, die Sie umgibt.
- Vermeiden Sie die Überschreitung der Geräuschgrenze und die Produktion von übermäßigen Kraftstoffdämpfen.
- Ihr Boot erzeugt Wellen und Lärm, die der natürlichen Umwelt schaden können.
- Informieren Sie sich über die örtlichen Bootsgesetze und -vorschriften, und halten Sie diese ein.

SICHERHEITSHINWEISE

Lesen Sie die Anweisungen sorgfältig durch.

- Die aufblasbaren Boote von Nash sind nicht für den Einsatz auf dem Meer geeignet.
- Lesen Sie die Bedienungsanleitung des von Ihnen gewählten Außenbordmotors sorgfältig durch, falls Sie einen solchen verwenden möchten.
- Es liegt in der Verantwortung des Bootsführers, sich mit den für ein Boot geltenden Gesetzen vertraut zu machen und sich an diese zu halten.
- wie es ausgestattet und betrieben werden muss.
- Die geltenden Gesetze und Vorschriften können sich je nach den folgenden Faktoren ändern und unterscheiden:
 1. dem Ort, an dem das Boot in Betrieb genommen wird
 2. die Anforderungen der örtlichen Behörden
 3. die Art der Nutzung des Bootes
 4. der Tageszeit
 5. die Betriebsbedingungen
 6. die Größe, die Geschwindigkeit, die Strecke, die Art des Bootes (Motor, Ruder, usw.)
 7. die Art der Navigation
- Alle Passagiere an Bord müssen angemessene Kleidung tragen und eine Schwimmweste haben.
- Vergewissern Sie sich, dass die Standardausrüstung des Bootes (Ruder, Luftpumpe und Reparaturset) an Bord ist. Andere als die vorgeschriebene Überlebensausrüstung ist manchmal notwendig.
- Eine Person, die unter Drogen- oder Alkoholeinfluss steht, ist nicht in der Lage, ein Boot zu steuern.
- Überschreiten Sie nicht die auf dem Typenschild des Bootes angegebene maximale Tragfähigkeit und die maximale Motorleistung.



- Achten Sie besonders auf Wind und Strömungen, da deren Schwankungen den Kraftstoffverbrauch beeinflussen.
- Wenn Sie vorhaben, in unbekanntem Gewässern zu fahren, sollten Sie sich mit ortskundigen Personen über mögliche Gefahren und Risiken beraten.
- Informieren Sie immer eine Person an Land über Ihre Abfahrtszeit, Ihren Ausgangspunkt, Ihre Route und Ihre voraussichtliche Rückkehrzeit.
- Fahren Sie nicht im Dunkeln oder unter gefährlichen Bedingungen, wenn keine korrekte Navigationsbeleuchtung installiert ist.
- Verwenden Sie zum Aufpumpen des Bootes keine Druckluftquelle. Ein zu starkes Aufpumpen kann dazu führen, dass die Nähte und/oder Wände reißen.
- Ob Ruder oder ein kleiner Außenbordmotor verwendet wird, hängt von den Bedingungen ab. Die Leistung reicht möglicherweise nicht aus, um Strömungen, kleinen Kanälen oder flachem Wasser zu begegnen.
- Beachten Sie die für Ihr Boot zulässige Höchstleistung. Ein zu starker Motor kann die Manövrierfähigkeit und Stabilität beeinträchtigen.
- Statten Sie Ihren Außenbordmotor mit einem Kabel für den Not-Aus-Schalter aus. Dieser Schalter schaltet den Motor ab, wenn der Bediener, aus welchem Grund auch immer, an der Schnur ziehen sollte.
- Prüfen Sie regelmäßig, ob der Motor sicher befestigt ist. Lose Schrauben können das Boot unkontrollierbar machen oder dazu führen, dass sich der Motor löst!

WARNHINWEISE FÜR DIE NAVIGATION

- Alle Passagiere müssen im Inneren des Bootes sitzen und sich mit einer oder beiden Händen festhalten können. Setzen Sie sich nicht auf die Luftkammern.
- Außenbordmotoren sind gefährlich. Ein unsachgemäßer Umgang mit Ihrem Beiboot kann zu schweren Verletzungen oder zum Tod führen.
- Rüsten Sie ein Boot niemals mit einem Motor aus, für den es nicht geeignet ist. Halten Sie Abstand zu Schwimmern und lassen Sie sie nicht an das Heck des Bootes heran, wenn der Motor läuft.
- Vermeiden Sie schnelle Beschleunigungen, die dazu führen können, dass Passagiere über Bord fallen.
- Das Gewicht muss gleichmäßig verteilt werden. Beschleunigen Sie nicht plötzlich, wenn Ihr Boot motorisiert und nicht schwer beladen ist. Ein schlecht kontrolliertes Boot kann zu Stabilitäts- und Manövrierproblemen führen.
- Vermeiden Sie Sandbänke und seichtes Wasser oder nähern Sie sich mit äußerster Vorsicht.
- Wenn eine der Kammern ein Leck hat, verlagern Sie die Last des Bootes auf die gegenüberliegende Seite. Versuchen Sie, das Leck mit der Hand oder einem Gurt zu begrenzen, und steuern Sie so schnell wie möglich den nächsten sicheren Landeplatz an.
- Erlauben Sie Kindern nicht, das Boot unbeaufsichtigt von Erwachsenen zu fahren.
- Führen Sie Ihre Ruder immer an Ort und Stelle eingerastet mit.

ANLEGEN

- Benutzen Sie beim Anlegen am Ufer nicht den Motor.
- Vermeiden Sie scharfe Gegenstände, wenn Sie an den Steg oder das Ufer kommen.
- Ziehen Sie das Boot nicht über Felsen, Sand, Kiesel oder geteerte Flächen.
- Tragen Sie das Boot immer.
- Decken Sie das Boot ab, wenn Sie es für längere Zeit außerhalb des Wassers in der Sonne liegen lassen.
- Wenn Sie das Boot am Ufer liegen lassen, lassen Sie einen Teil des Bootes im Wasser liegen, um das Boot abzukühlen und einen Überdruck in der Luftkammer zu vermeiden.
- Es wird nicht empfohlen, das Boot zu schleppen. Der vordere Ring ist nur zum Festmachen oder zum Befestigen einer Ankerleine gedacht.

FUSSPUMPE

WARNHINWEISE:

- Verwenden Sie zum Aufblasen des Bootes keine Druckluft. Ein zu starkes Aufpumpen kann zum Reißen der Nähte und/oder Wände führen.
- Verwenden Sie zum Aufpumpen Ihres Bootes die speziell dazu entwickelte Pumpe.
- Die Fußpumpe kann den Luftdruck liefern, der zum vollständigen Aufpumpen des Bootes erforderlich ist. Stecken Sie zum Aufpumpen den Schlauch in das Auslassloch der Pumpe. Wir empfehlen Ihnen, die Fußpumpe aus Sicherheitsgründen immer mit an Bord zu führen.
- Vor einer längeren Reise sollten Sie das Boot 24 Stunden lang aufblasen, um sicherzustellen, dass alle Kammern vollständig luftdicht sind..

VORSICHT:

Überprüfen Sie vor dem Einsteigen immer, ob das Boot ausreichend aufgepumpt ist.





CFRP LATTENDECK BOOT MONTAGEANLEITUNG

1. Machen Sie einen ebenen Platz frei (stellen Sie sicher, dass er sauber und frei von scharfen Gegenständen ist), um Ihr Boot zu entfalten. Nehmen Sie das Boot aus dem Karton und aus der Boottasche heraus. Rollen Sie das Boot so aus, dass es flach aufliegt.
2. Pumpen Sie das Boot mit der Hochdruck-Fußpumpe zu 90% auf. Fangen Sie an, das Boot an der Kammer mit dem Überdruck-Sicherheitsventil aufzupumpen.

Hinweis: Verwenden Sie keinen Luftkompressor. Schäden an Ihrem Boot, die durch zu starkes Aufpumpen mit einem Luftkompressor verursacht werden, sind nicht durch die Garantie abgedeckt.

3. Montieren Sie den, indem Sie die Flansche an der Unterseite des Sitzes auf die Schienen an den seitlichen Kammern schieben.
4. Beenden Sie das Aufpumpen aller Rumpfkammern auf 100% oder 0,25 bar Druck. Die Hauptkammer des Bootes hat ein eingebautes Überdruckventil für zusätzliche Sicherheit.
5. Sichern Sie die Ruder durch Einklinken in die Ruderverschlüsse.

ENTLÜFTUNG

Entfernen Sie die Ventilverriegelungen, um den Kunststoffschacht des inneren Ventils freizulegen. Drücken Sie den Schaft ein, um den Luftdruck abzulassen, und drehen Sie ihn, um das Ventil in der offenen Position zu verriegeln. Lassen Sie die Luft aus jeder Hüllenkammer zu 50-75% ab, bevor Sie eine der Luftkammern vollständig entleeren.

Hinweis: Lassen Sie die Luft nicht vollständig aus einer Kammer ab, während die anderen vollständig aufgeblasen sind. Dies könnte die Kammer beschädigen.

WARTUNG & LAGERUNG

- Zum Reinigen Sand und losen Schmutz mit dem Schlauch abspritzen und vor dem Einpacken trocknen lassen. Der meiste Schmutz kann mit einem Gartenschlauch, einem Schwamm und milder Seife entfernt werden. Verwenden Sie keine scharfen chemischen Reinigungsmittel.
- Verwenden Sie niemals alkoholhaltige Polier- oder Reinigungsmittel zur Reinigung Ihres Wasserfahrzeugs. Dies kann zu einer Zersetzung des Luftkammermaterials führen.
- Lagern Sie es an einem sauberen und trockenen Ort. Lagern Sie das Boot nicht bei extremen Temperaturen (d.h. über 65° Celsius/unter – 20° Celsius).
- Wenn Sie Ihr Boot für längere Zeit zusammengeklappt in der Tasche aufbewahren, stellen Sie sicher, dass es vollständig trocken ist, decken Sie es nicht ab und beschichten Sie es nicht mit Talkumpuder oder ähnlichen Pulvern.
- Kann mit oder ohne Luft gelagert werden.
- Wenn das Boot im Freien gelagert wird, ist es ratsam, es vom Boden hochzuheben.
- Wenn es direkter Sonneneinstrahlung, Blättern, Beeren oder Regen ausgesetzt ist, decken Sie es mit einer Plane ab.
- Das Aufhängen des Bootes wird nicht empfohlen.
- Wenn Sie das Boot im Wasser liegen lassen, müssen Sie wahrscheinlich ab und zu das Regenwasser ablassen. Wenn Sie das Boot in einem Schrank, im Keller oder in der Garage aufbewahren, empfehlen wir Ihnen, einen kühlen, trockenen Ort zu wählen und darauf zu achten, dass das Boot sauber und trocken ist, bevor Sie es einpacken - sonst kann sich Schimmel bilden.
- Lagern Sie ein Boot mit Kraftstoff im Tank niemals in einem Raum, in dem die Kraftstoffdämpfe auf eine Flamme, einen Funken oder eine starke Wärmequelle treffen können.

FEHLERSUCHE

1. Lecks

Nach 2 oder 3 Tagen kann es aufgrund von Temperaturschwankungen zu einem leichten Druckabfall kommen. Wenn dies der Fall ist, pumpen Sie ein paar Mal Luft in jede Kammer. Wenn der Druckabfall nicht auf die kälteren Temperaturen zurückzuführen ist, überprüfen Sie das Boot auf Undichtigkeiten, angefangen bei den Ventilen. Das beste Mittel, um Lecks zu finden, ist Seifenwasser in einer Sprühflasche. Wir empfehlen, Seife und Wasser in einer Sprühflasche zu mischen. Sprühen Sie um das Ventil herum. Wenn Sie sehen, dass sich Blasen bilden, überprüfen Sie den Ventilsitz und -boden und stellen Sie sicher, dass der Ventileinsatz festgeschraubt ist. Wenn Sie weiterhin Probleme haben, wenden Sie sich an support@nashtackle.co.uk, um ein neues Ventil zu bestellen.

2. Auffinden von Löchern

Wenn das Boot Luft verliert, aber alle Ventile dicht sind, haben Sie wahrscheinlich ein kleines Loch. Kleine Löcher lassen sich leicht und dauerhaft reparieren. Sprühen Sie die Innen- und Außenseite des Rumpfes ab, bis Luftblasen die Stelle des Lecks markieren. Wenn Sie ein langsames Leck mit Luftblasen nicht finden können, pumpen Sie das Boot auf maximalen Luftdruck auf und versuchen Sie, das Leck mit dem Gehör zu finden. Wenn Sie den Bereich eingrenzen können, kehren Sie mit einer Sprühflasche zurück, um die Quelle des Lecks zu finden.

Kleine Reparaturen durchführen.

Löcher mit einer Größe von weniger als 3 mm/1/8" können einfach ohne Flicker repariert werden. Lassen Sie die Luft aus Ihrem Boot ab, reinigen und trocknen Sie die zu reparierende Stelle.

Tragen Sie einen kleinen Tropfen Kleber auf die Stelle auf und lassen Sie ihn 12 Stunden lang trocknen. Wenn Sie früher aufs Wasser müssen, lassen Sie es 30 Minuten lang trocknen und pumpen Sie das Boot dann auf, wobei Sie die Kammer mit der Reparatur nur zu 3/4 füllen. Diese Reparatur ist möglicherweise nicht dauerhaft, also fügen Sie zu einem späteren Zeitpunkt erneut einen Tropfen hinzu, um sie dauerhaft zu machen.

3. Risse oder Schnitte

Ihr Boot wird standardmäßig mit einem Reparatursatz geliefert. Schneiden Sie ein Stück Reparaturmaterial zu, das groß genug ist, um die beschädigte Stelle um etwa 12 mm zu überlappen, und runden Sie die Kanten ab. Tragen Sie unseren Kleber auf die Unterseite des Flickens und um die zu reparierende Stelle herum auf. Zu viel Kleber beeinträchtigt eine ordnungsgemäße Reparatur. Lassen Sie den Kleber 2-4 Minuten lang antrocknen, und legen Sie den Flicker dann auf die beschädigte Stelle.





Verwenden Sie ein Gewicht, um 12 Stunden lang einen Druck von 1.5-2.5 kg auszuüben. Nachdem der Flicker getrocknet ist, tragen Sie den Kleber um die Ränder herum auf, um eine vollständige Abdichtung zu erreichen (Trocknung in 4 Stunden).

4. Große und schwierige Reparaturen

Wenn Sie eine schwierige Reparatur haben, wenden Sie sich an support@nashtackle.co.uk und wir beraten Sie, wie Sie Ihr Boot am besten reparieren können.

5. Wenn Sie Wasser in das Boot eindringen sehen, überprüfen Sie Folgendes:

1. Ist das Ablassventil geöffnet?
2. Funktioniert die Membrane im Ablassventil richtig?
3. Hat es in letzter Zeit geregnet?
4. Gibt es ein Loch im Boden?

Garantie-Registrierung

Sie können die Garantie für dieses Produkt online auf der Website von Nash Tackle registrieren - www.nashtackle.com. Folgen Sie den Anweisungen zur Produktregistrierung auf der Produktseite oder besuchen Sie <https://register.nashtackle.co.uk/>. Sie benötigen einen Scan oder ein Foto Ihres Kaufbelegs, um die Registrierung abzuschließen.

Die Garantie erstreckt sich nicht auf die folgenden Punkte::

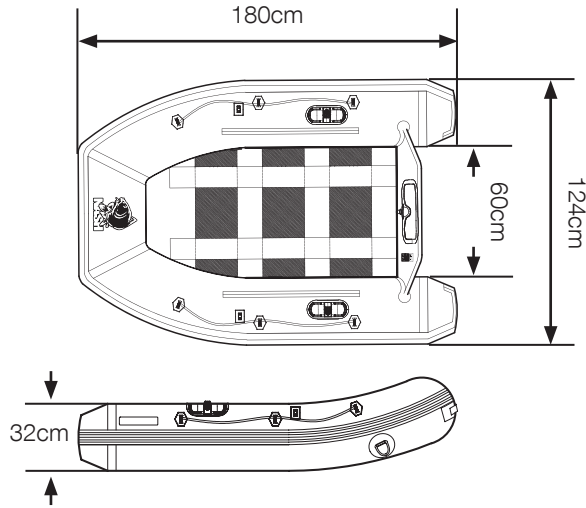
1. Überfüllung der Schläuche nicht mehr als 0,25bar/3,63psi
2. Zu starkes Aufblasen des Luftdecks nicht mehr als 0.69bar/10psi.
3. Luftverlust aufgrund von Temperaturunterschieden
4. Luftverlust durch das Druckventil unter heißen Bedingungen
5. Knickspuren. Dies ist normal und wird im Laufe des Gebrauchs verschwinden.
6. Kleberückstände. Alle Nash-Boote sind handgefertigt und gelegentlich können Klebereste sichtbar sein.
7. Kleine Unvollkommenheiten an den geklebten Teilen, die die Gebrauchstauglichkeit nicht beeinträchtigen.
8. Geringer Luftverlust innerhalb von 48 Stunden (bis zu 20% Luftverlust im Vergleich zum Betriebsdruck).
9. Schäden, die durch Unachtsamkeit im Gebrauch verursacht wurden, z.B. Zigaretten, Haken.
10. Schäden, die durch das Abschleppen Ihres Bootes oder die Verwendung Ihres Bootes zum Abschleppen eines anderen Bootes verursacht wurden.
11. Schäden, die durch die Verwendung von Lösungsmitteln jeglicher Art verursacht wurden.
12. Schäden, die durch Batteriesäure, Öl und Kraftstoff verursacht wurden.
13. Schäden, die durch Nagellack, Sonnenschutzmittel/Öl verursacht wurden.
14. Schäden, die durch Insektenschutzmittel verursacht wurden.
15. Schäden, die durch unsachgemäßen Gebrauch verursacht wurden.
16. Schäden, die durch Hochdruckreinigung verursacht wurden.
17. Schäden, die durch die Verwendung von aggressiven Reinigungsmitteln verursacht wurden.
18. Schäden, die durch unsachgemäße Montage und Demontage des Bootes verursacht werden.
19. Schäden, die durch unsachgemäße Lagerung, schlechte Belüftung verursacht werden.
20. Schäden, die durch unzureichende Reinigung und Wartung des Bootes verursacht werden.
21. Schäden während des Transports.
22. Schäden, die durch die Verwendung von Kompressoren zum Aufblasen oder Entleeren des Bootes verursacht wurden.
23. Schäden, die auf normale Abnutzung zurückzuführen sind.
24. Schäden, die durch Gewaltanwendung verursacht wurden.
25. Schäden, die durch Tiere auf oder in dem Boot verursacht wurden.
26. Schäden, die durch Wasser im Inneren der Kammern verursacht wurden.
27. Schäden am Rumpf, die durch Unachtsamkeit oder äußere Einflüsse entstanden sind.
28. Schäden, die durch die Teilnahme an Rennveranstaltungen jeglicher Art entstanden sind.
29. Schäden, die durch die Verwendung von nicht zugelassenem Zubehör entstehen.
30. Schäden, die durch Überschreitung der maximal zulässigen Leistung KW/HP sowie des zulässigen Motorgewichts verursacht werden.
31. Schäden, die durch Überschreitung der zulässigen Nutzlast und der empfohlenen

*Ihre gesetzlichen Rechte bleiben unberührt.

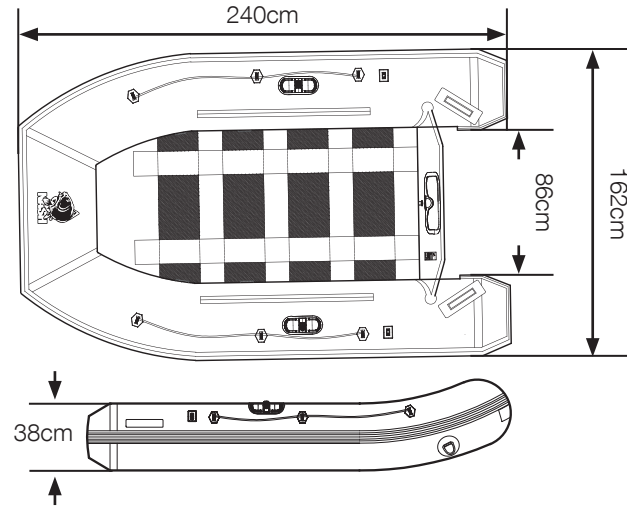




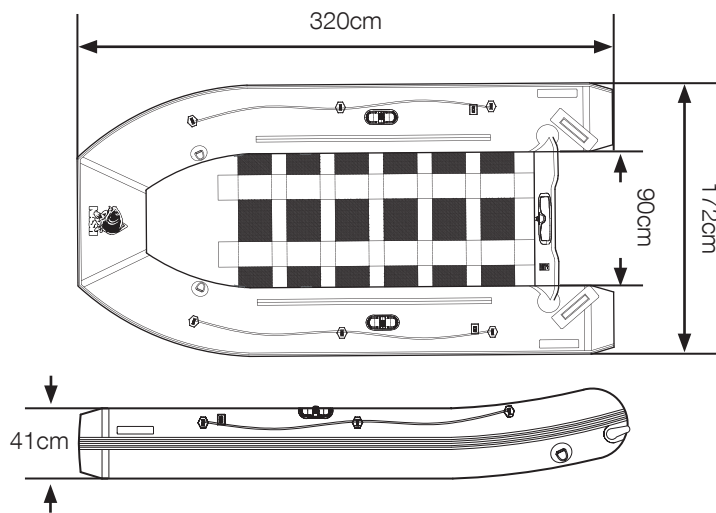
RIB180



RIB240



RIB320



Wenn Sie ein Problem mit Ihrem Boot haben, das durch die Garantie abgedeckt ist, sollten Sie wie folgt vorgehen:

1. Wenden Sie sich an den Fachhändler, bei dem Sie das Boot gekauft haben, und schildern Sie das Problem.
2. Der Händler muss sich mit einem Foto und einer Erklärung des Problems sowie einem Kaufbeleg an support@nashtackle.co.uk wenden.
3. Wir werden prüfen, ob das Problem durch die Garantie abgedeckt ist.
4. Sobald dies bestätigt ist, muss der Händler einen Rücksendeauftrag per Kurier an die Kundendienstabteilung senden, und wir werden die Abholung des Bootes veranlassen.
5. Wir überprüfen dann das Boot und veranlassen eine entsprechende Reparatur oder einen Austausch.

AUFBLASEN DES OPTIONALEN LUFTDECKS (*NUR FÜR RIB 320)

1. Finden sie eine ebene Fläche, auf der das Boot zusammengebaut werden kann und entfernen sie alle scharfen Gegenstände.
2. Breiten sie das Boot flach aus.
3. Pumpen sie die Bootsschläuche an Bug, Steuerbord und Backbord auf etwa 50% der Kapazität auf.
4. Wenn sie den Sitz verwenden möchten, platzieren sie ihn, wenn die Bootsschläuche zu etwa 50% aufgepumpt sind.
5. Positionieren sie das Air Deck am Boden des Bootes und blasen sie es auf etwa 70% auf.
6. Pumpen sie den Bug-, Steuerbord- und Backbordschlauch zu 100% auf.
7. Pumpen sie das Air Deck zu 100% auf.

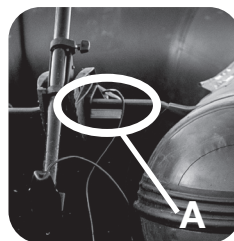
HINWEIS: Der maximale Fülldruck des Luftdecks beträgt 10 PSI (0.69 Bar)



(NL)

Gefeliciteerd met de aankoop van een Nash Inflatable Boat. Registreer je boot via de volgende link en geniet van een verlengde garantie van 24 maanden:
<https://register.nashtackle.co.uk>

OPGELET: Om te registreren zul je een foto of scan van je aankoopbewijs moeten uploaden. Het serienummer vind je op de spiegel van de boot (zie schema A).



**2 YEAR
GUARANTEE**



WAARSCHUWING

- Pomp nooit één kamer van de boot volledig op zonder dat de andere kamers zijn opgepompt omdat dit onnodige druk op beide uiteinden van die kamer veroorzaakt
- Behoud gelijke luchtdruk in elke kamer zodat de uiteinden die de kamers onderverdelen aan beide zijden onder gelijke druk staan
- Met teveel druk oppompen kan structurele schade aan de boot veroorzaken. Laat je boot niet uit het water in direct zonlicht liggen omdat de tubes kunnen uitzetten en beschadigd worden en zelfs kunnen ontploffen.

NASH INFLATABLE BOATS

Bedankt voor het kopen van een Nash Inflatable Boat. Lees de informatie in deze gebruikershandleiding voor uw eigen veiligheid en de correcte zorg van uw boot. Houd deze handleiding aan boord waar deze droog kan blijven. Als u uw boot verkoopt, zorg er dan voor dat de gebruikershandleiding wordt doorgegeven aan de nieuwe eigenaar.

BOAT SPECIFICATIES

MODEL	BODEM	TOTALE LENGTE	TOTALE BREEDTE	AANTAL KAMERS	TOTALE GEWICHT	MAX VOORTSTUWING	MAX LADING (KG)	MAX AANTAL PERS.	CE-PLAAT
RIB-180SL	CFRP Slat	180cm	126cm	2	24.5KG	2.5KW/3.5HP	250	2	ISO 9001:2015
RIB-240SL	CFRP Slat	240cm	151cm	3	33.5KG	4.4KW/6HP	350	3	ISO 9001:2015
RIB-320SL	CFRP Slat	320cm	162cm	3	49.5KG	7.5KW/10HP	525	4+1	CE EN6185-2

UW BOOT EN HET MILIEU

- Gebruik uw boot altijd met respect voor het milieu om u heen.
- Vermijd het overschrijden van de geluidsdrempel en het produceren van overmatige brandstofdampen.
- Uw boot genereert golven en lawaai die schadelijk kunnen zijn voor de natuurlijke omgeving.
- Leer, begrijp en voldoe aan de lokale vaarwetten en -voorschriften.

VEILIGHEIDSINSTRUCTIES

Lees de instructies zorgvuldig.

- Nash Inflatable Boats zijn niet geschikt voor gebruik op zee.
- Lees zorgvuldig de handleiding bij uw keuze van buitenboordmotor als u ervoor kiest om er een te gebruiken.
- Het is de verantwoordelijkheid van de gebruiker om de wetten die van toepassing zijn op een boot te leren, te kennen en zich eraan te houden met betrekking tot hoe de boot moet worden uitgerust en bediend.
- De wet- en regelgeving die van kracht is, kan veranderen en verschillen afhankelijk van de volgende factoren:
 1. de locatie waar de boot in gebruik wordt genomen
 2. de eisen van de lokale autoriteiten
 3. het type gebruik van de boot
 4. het tijdstip van de dag
 5. de gebruikersomstandigheden
 6. de grootte, snelheid, route, type boot (vermogen, riemen, enz.)
 7. de navigatiemodus
- Alle passagiers aan boord moeten passende kleding dragen en een reddingsvest hebben.
- Zorg ervoor dat de standaarduitrusting van de boot (riemen, luchtpomp en reparatieset) aan boord is. Extra overlevingsuitrusting anders dan de verplichte items is soms nodig.
- Een persoon onder invloed van drugs of alcohol is niet in staat om een boot te besturen.
- Overschrijd niet het maximale laadvermogen en het maximale motorvermogen dat op de plaat van de fabrikant van de boot is aangegeven.
- Speciale aandacht moet worden besteed aan wind en stromingen, omdat hun variatie het brandstofverbruik kan beïnvloeden.
- Als u van plan bent om in onbekende wateren te navigeren, raadpleeg dan degenen die bekend zijn met het gebied over mogelijke gevaren en moeilijkheden.



- Geef altijd uw tijd en vertrekpunt, uw route en uw geschatte tijd van terugkeer door aan iemand aan wal.
- Navigeer niet in het donker of in gevaarlijke omstandigheden als de juiste navigatieverlichting niet is geïnstalleerd.
- Gebruik geen persluchtbron om de boot op te blazen. Overspanning kan ervoor zorgen dat de naden en/of wanden scheuren.
- Of er roeispanten of een kleine buitenboordmotor wordt gebruikt, hangt af van de omstandigheden. Het vermogen is mogelijk niet voldoende om stromingen, kleine kanalen of ondiep water tegen te gaan.
- Respecteer het maximale vermogen van uw boot. Een te krachtige motor kan wendbaarheids- en stabiliteitsrisico's veroorzaken.
- Rust uw buitenboordmotor uit met een noodkoord. Deze schakelaar stopt de motor als de machinist aan het snoer trekt, om welke reden dan ook.
- Controleer regelmatig of de motor goed is bevestigd. Losse schroeven kunnen het vaartuig oncontroleerbaar maken of ertoe leiden dat de motor losraakt!

NAVIGATIE WAARSCHUWINGEN

- Alle passagiers moeten in de boot zitten en moeten zich met één of beide handen kunnen vasthouden. Ga niet op de luchtkamers zitten.
- Buitenboordmotoren zijn gevaarlijk. Ruwe behandeling kan leiden tot ernstig letsel of de dood.
- Rust een boot nooit uit met een motor waarvoor deze niet is aangepast. Blijf uit de buurt van zwemmers en laat ze de achterkant van de boot niet naderen als de motor draait.
- Vermijd snelle acceleraties die ervoor kunnen zorgen dat passagiers overboord vallen.
- Het gewicht moet gelijkmatig worden verdeeld. Accelereer niet plotseling als uw boot gemotoriseerd is en niet zwaar beladen. Een slecht bestuurde boot kan leiden tot stabiliteits- en manoeuvreerproblemen.
- Vermijd zandbanken en ondiep water of benader ze met uiterste voorzichtigheid.
- Als een van de kamers doorboord raakt, verplaatst dan de lading van de boot naar de andere kant. Probeer het lek met je hand of een riem te beperken en ga zo snel mogelijk naar het dichtstbijzijnde veilige landingsgebied.
- Sta niet toe dat kinderen de boot besturen zonder toezicht van volwassenen.
- Neem je roeispanten altijd mee op hun bijhorende plaats.

AANMEREN

- Gebruik de motor niet bij het aanmeren op het strand.
- Vermijd scherpe voorwerpen wanneer u naar het dok of de oever komt.
- Sleep de boot niet over rotsen, zand, grind of geteerde oppervlakken.
- Draag altijd de boot.
- Bedek de boot wanneer u deze lange tijd in de zon uit het water laat liggen.
- Als u de boot op de kant achterlaat, laat dan een deel van de boot in het water om de boot af te koelen en overdruk van de luchtkamer te voorkomen.
- Het wordt niet aanbevolen om de boot te slepen aan de voorste ring. Die is enkel om aan te meren of een ankerlijn vast te zetten.

VOETPOMP

WAARSCHUWING:

- Gebruik geen persluchtbron om de boot op te blazen. Overspanning kan ervoor zorgen dat de naden en/of wanden scheuren.
- Gebruik de speciaal ontworpen pomp om uw boot op te blazen.
- De voetpomp kan de luchtdruk leveren die nodig is om uw boot volledig op te blazen. Om op te blazen, steekt u de slang in het uitlaatgat op de pomp. Wij raden u aan om voor de veiligheid altijd uw voetpomp aan boord te hebben.
- Voordat u een lange reis onderneemt, blaast u de boot 24 uur lang op om er zeker van te zijn dat alle kamers volledig luchtdicht zijn.

WAARSCHUWING:

Controleer voordat u aan boord gaat altijd of de boot voldoende is opgeblazen.





CFRP LATTENBODEM BOOT MONTAGE INSTRUCTIES

1. Maak een vlakke ruimte vrij (zorg ervoor dat deze schoon en vrij van scherpe voorwerpen is) om uw boot uit te vouwen. Haal de romp uit de doos en haal hem uit de boottas. Rol de romp uit zodat deze plat ligt.

2. Blaas de boot met de hogedruk voetpomp op tot 90%. Begin met het oppompen van de boot op het gedeelte met de overdrukbeveiligingsklep.

Opmerking: Gebruik geen luchtcompressor. Schade aan uw boot veroorzaakt door te veel opblazen met een luchtcompressor valt niet onder uw garantie.

3. Installeer de zitting door de flenzen aan de onderkant van de stoel op de rails aan de zijkanten te schuiven.

4. Blaas alle rompkamers nu op tot 100% of 0,25 bar druk. De hoofdruimte van de boot heeft een ingebouwde overdrukklep voor extra veiligheid.

5. Zet de riemen vast door ze in de voorziene riemsloten te klippen.

LEEGLATEN

Verwijder de doppen om de pen van de binnenklep bloot te leggen. Druk de pen in om de luchtdruk te verlagen en draai ze om de klep in de open positie te vergrendelen. Laat elke rompkamer leeglopen tot 50-75% voordat de ruimte volledig leegloopt.

Opmerking: Laat één kamer niet volledig leeglopen terwijl andere volledig zijn opgeblazen. Dit kan de tussenschotten van uw boot beschadigen.

ONDERHOUD EN OPSLAG

- Voordat u de boot volledig inpakt, spoel zand en los vuil weg. Het meeste vuil kan worden verwijderd met een tuinslang, een spons en milde zeep. Gebruik geen agressieve chemische reinigingsmiddelen.
- Gebruik nooit was- of reinigingsproducten die alcohol bevatten om uw boot schoon te maken. Dit kan leiden tot degradatie van het luchtkamer materiaal.
- Bewaren op een schone en droge plaats. Niet bewaren bij extreme temperaturen (d.w.z. meer dan 65°C/ of minder dan -25°C).
- Als u uw boot voor langere periodes opgevouwen in de zak bewaart, zorg er dan voor dat deze volledig droog is, bestrooi deze niet met talkpoeder of andere soortgelijke poeders.
- Kan opgeblazen of leeg worden opgeslagen.
- Als de boot buiten wordt gelaten, is het raadzaam om de boot van de grond te tillen.
- Als de boot in direct zonlicht komt te staan of wordt blootgesteld aan bladeren, bessen of regen, bedek de boot dan met een zeildoek.
- Het ophangen van de boot wordt afgeraden.
- Als je de boot in het water laat liggen, zul je waarschijnlijk af en toe regenwater moeten afvoeren. Als u hem in een kast, kelder of garage opbergt, raden we u aan een koele, droge plek te kiezen en ervoor te zorgen dat de boot schoon en droog is voordat u hem inpakt of schimmel kan zich ophopen.
- Bewaar nooit een boot met brandstof in de tank in een ruimte waar de brandstofdampen een vlam, vonk of een sterke warmtebron kunnen bereiken.

PROBLEEMOPLOSSINGEN

1. Lekken

Na 2 of 3 dagen kan er een kleine drukafname optreden als gevolg van temperatuurverandering. Als dat zo is, voeg dan lucht toe aan elke kamer. Als u luchtdruk verliest en dit is niet te wijten aan koudere temperaturen, controleert u de boot op lekken, te beginnen met de kleppen. Het beste hulpmiddel om lekken te vinden is zeepsop in een spuitfles. We raden u aan om water en zeep te mengen in een spuitfles. Spuit rond de klep. Als u bubbels ziet ontstaan, controleer dan de basis van uw klep en zorg ervoor dat het klepinzetstuk goed is vastgeschroefd. Als u problemen blijft ondervinden, neem dan contact op met support@nashtackle.co.uk om nieuwe kleppen te bestellen. Vervanging van de hele klep kan worden gedaan met een eenvoudig gereedschap dat wordt geleverd met een vervangende klep.

2. Lekken opsporen

Als de boot lucht verliest en alle kleppen luchtdicht zijn, heb je waarschijnlijk een kleine lekkage. Kleine lekkages kunnen eenvoudig en permanent worden gerepareerd. Spuit rond de binnen- en buitenkant van de romp totdat luchtbelletjes de positie van het lek markeren. Als je geen geluk hebt met het vinden van een langzaam lek met luchtbelletjes, blaas de boot dan op tot maximale luchtdruk en probeer te luisteren om het lek te vinden. Als u het gebied kunt verkleinen, keert u terug met een spuitfles om de bron van het lek te identificeren.

Kleine reparaties uitvoeren.

Punctures less than 3mm/1/8" in size can be repaired simply without a patch. Deflate your boat, then clean and dry area to be repaired.

Apply a small drop of glue to cover the puncture, and let it dry for 12 hours. If you need to get on the water sooner, let it dry for 30 minutes and then inflate the boat, inflating the compartment with the repair only 3/4 full. This repair might not be permanent so add a drop again at a later date to make it permanent.

3. Scheuren

Uw boot wordt standaard geleverd met een reparatieset. Knip een stuk reparatiemateriaal dat groot genoeg is om het beschadigde gebied met ongeveer 12 mm / 1/2" te overlappen en rond de randen af. Breng onze lijm aan op de onderkant van de pleister en rond het te repareren gebied. Te veel lijm zal een goede reparatie verstoren. Laat de lijm gedurende 2-4 minuten kleverig worden en plaats vervolgens een pleister op het beschadigde gebied. Gebruik een gewicht (1,5kg-2,5kg) om druk toe te passen gedurende 12 uur. Nadat de pleister

4. Grote en moeilijke reparaties

Als u een moeilijke reparatie heeft, neem dan contact op met support@nashtackle.co.uk en wij zullen u adviseren hoe u best de boot te repareert.





5. Als u water in de boot ziet komen, controleer dan het volgende:

1. Is de afvoerklep open?
2. Werkt het membraan in de afvoerklep naar behoren?
3. Heeft het de afgelopen tijd geregend?
4. Zit er een gat in de vloer?

Garantie registratie

U kunt een garantie voor dit product online registreren op de Nash Tackle-website - www.nashtackle.com en volg de instructies voor productregistratie op de productvermeldingspagina of bezoek <https://register.nashtackle.co.uk/>

U hebt een scan of foto van uw aankoopbewijs nodig om de registratie te voltooien.

De garantie dekt het volgende niet:

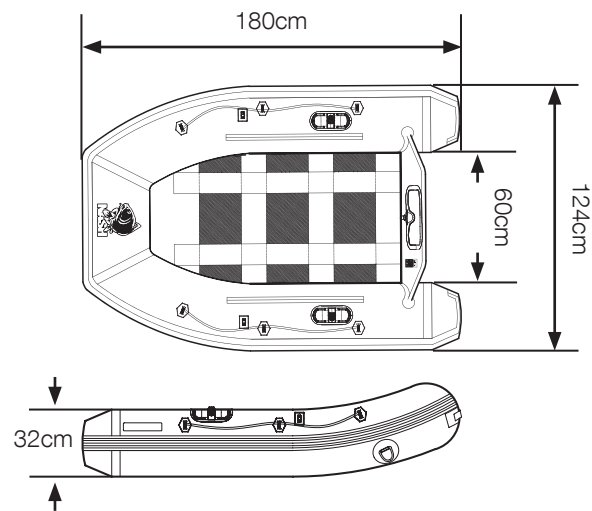
1. Overinflatie van buizen niet meer dan 0.25bar /3.63psi
2. Overinflatie van het luchtdek niet meer dan 0.69bar/10psi.
3. Luchtverlies door temperatuurverschillen
4. Luchtverlies langs het drukventiel in warme omstandigheden
5. Vouwsporen. Dit is normaal en deze zullen tijdens het gebruik in opgeblazen toestand verdwijnen.
6. Lijmresten. Alle Nash boten worden met de hand gemaakt en af en toe kan er een lijmvlek zichtbaar zijn.
7. Kleine onvolkomenheden op gelijkde onderdelen die de bruikbaarheid niet beïnvloeden.
8. Laag drukverlies binnen 48 uur (tot 20% drukverlies in vergelijking met gebruiksdruk).
9. Schade veroorzaakt door onzorgvuldig gebruik, bijvoorbeeld sigaretten, haken.
10. Schade veroorzaakt door het slepen van uw boot, of het gebruik van uw boot om een andere boot te slepen.
11. Schade veroorzaakt door accuzuur, olie en brandstof.
12. Schade veroorzaakt door nagellak, zonnebrandcrème/olie.
13. Schade veroorzaakt door insectenwerend middel.
14. Schade veroorzaakt door onzorgvuldig gebruik.
15. Schade veroorzaakt door hogedrukreiniging.
16. Schade veroorzaakt door het gebruik van agressieve reinigingsmiddelen.
17. Schade veroorzaakt door onjuiste montage en demontage van de boot.
18. Schade veroorzaakt door onjuiste opslag, slechte ventilatie.
19. Schade veroorzaakt door onvoldoende reiniging en onderhoud van de boot.
20. Schade tijdens het transport.
21. Schade veroorzaakt door het gebruik van drukcompressoren om de boot op te blazen of leeg te laten lopen.
22. Schade door normale slijtage.
23. Schade veroorzaakt door het gebruik van geweld.
24. Schade veroorzaakt door dieren op of in de boot.
25. Schade veroorzaakt door water in de binnenkant van de luchtkamers.
26. Schade aan de romp als gevolg van onzorgvuldigheid, evenals invloeden van buitenaf.
27. Schade veroorzaakt door deelname aan race-evenementen van welke aard dan ook.
28. Schade veroorzaakt door het gebruik van niet-goedgekeurde accessoires.
29. Schade veroorzaakt door overschrijding van het maximaal aanvaardbare vermogen KW/PK en het toegestane motorgewicht.
30. Schade veroorzaakt door het overschrijden van het toegestane laadvermogen en het aanbevolen aantal personen.

* Uw wettelijke rechten blijven onaangetast

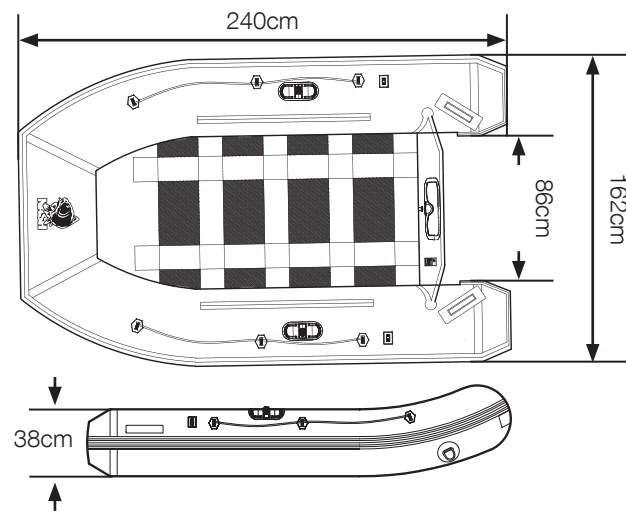




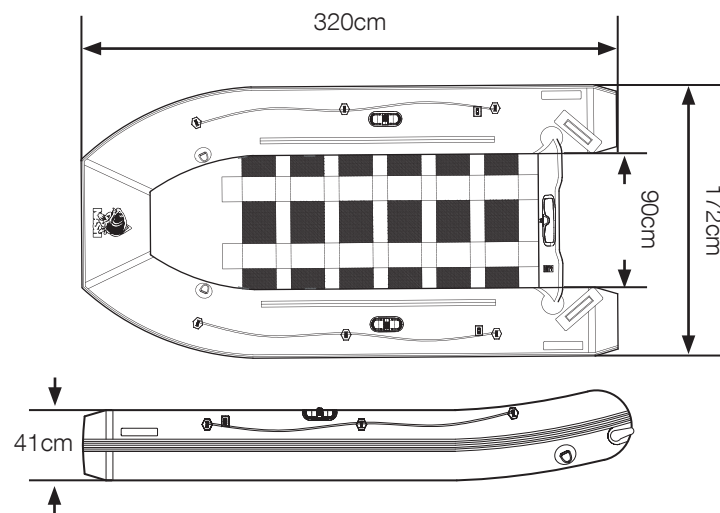
RIB180



RIB240



RIB320



Als u een probleem heeft met uw boot dat onder de garantie valt, moet u als volgt te werk gaan:

1. Neem contact op met uw plaats van aankoop en leg het probleem uit.
2. De winkelier moet contact opnemen met support@nashtackle.co.uk met een foto en uitleg van het probleem samen met het aankoopbewijs.
3. Dan bekijken we of het probleem onder de garantie valt.
4. Eenmaal bevestigd, moet de winkelier een retourverzoek naar de support afdeling sturen en wij regelen daarna de ophaling van de boot.

DE OPTIONELE AIR DECK OPPOMPEN (*ENKEL BIJ RIB 320)

1. Zoek een vlakke ondergrond waar je de boot zult oppompen en verwijder alle scherpe objecten
2. Vouw de boot plat open
3. Pomp de tubes in de boeg plus stuur- en bakboord voor ongeveer 50% op
4. Als je de zitplank wil gebruiken, bevestig die dan wanneer de tubes ongeveer 50% zijn opgepompt
5. Plaats de Air Deck op de bodem van de boot en pomp die ongeveer 70% op
6. Pomp de boeg plus stuur- en bakboord volledig op
7. Pomp nu de Air Deck volledig op

OPGELET: De maximum druk bij het oppompen van de Air Deck is 10 PSI (0,69 Bar).

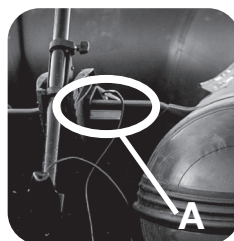


(IT)



Congratulazioni per aver acquistato un gommone Nash. Registra la tua imbarcazione per beneficiare di una garanzia estesa di 24 mesi qui:
<https://register.nashtackle.co.uk>

NOTA: Per la registrazione ti verrà chiesto di caricare una foto o una copia scannerizzata della prova di acquisto. Il numero di serie si trova sulla targhetta nel retro della barca (vedi diagramma A).



**2 YEAR
GUARANTEE**



AVVERTIMENTO

- Non gonfiare completamente una camera dell'imbarcazione alla volta, poichè ciò provocherebbe sollecitazioni inutili alla paratia interna.
- Mantenere un equilibrio d'aria simile in ciascuna camera in modo che le paratie che dividono le camere d'aria principali, siano mantenute in modo che vi sia la stessa pressione e dimensioni gonfiate su ciascun lato della paratia.
- Un gonfiaggio eccessivo può causare danni strutturali alla barca. Non lasciare la barca alla luce diretta del sole quando è fuori dall'acqua, poichè ciò potrebbe causare l'espansione fino al punto di potersi danneggiare o scoppiare.

NASH INFLATABLE BOATS

Grazie per aver acquistato un gommone Nash. Si prega di leggere le informazioni in questa guida per l'utente per la propria sicurezza e la corretta cura della propria imbarcazione. Conservare questo manuale a bordo all'asciutto asciutto. Se vendi la tua barca assicurati che la guida per l'utente sia passata al nuovo proprietario.

BOAT SPECIFICATION

MODELO	PAVIMENTO	LUNGHEZZA COMPLESSIVA	LARGHEZZA COMPLESSIVA	NUMERO DI CAMERE	PESO NETTO	POTENZA MASSIMA	PORTATA MASSIMA (KG)	NUMERO MAX PERSONE	TARGA-CE
RIB-180SL	CFRP Slat	180cm	126cm	2	24.5KG	2.5KW/3.5HP	250	2	ISO 9001:2015
RIB-240SL	CFRP Slat	240cm	151cm	3	33.5KG	4.4KW/6HP	350	3	ISO 9001:2015
RIB-320SL	CFRP Slat	320cm	162cm	3	49.5KG	7.5KW/10HP	525	4+1	CE EN6185-2

LA TUA BARCA E L'AMBIENTE

- Usa sempre la tua barca nel rispetto dell'ambiente che ti circonda.
- Evitare di superare la soglia di rumorosità e di produrre eccessivi fumi di carburante.
- L'imbarcazione genera onde e rumori che possono essere dannosi per l'ambiente naturale.
- Imparare, comprendere e rispettare le leggi e i regolamenti nautici locali.

ISTRUZIONI DI SICUREZZA

Leggere attentamente le istruzioni.

- I gommoni Nash non sono progettati per l'uso in mare.
- Leggere attentamente il manuale di istruzioni fornito con il motore fuoribordo scelto se si sceglie di utilizzarne uno.
- È responsabilità dell'operatore dell'imbarcazione conoscere e conoscere le leggi applicabili a un'imbarcazione e rispettarle in merito a come deve essere equipaggiato e azionato.
- Le leggi e i regolamenti applicabili in vigore possono cambiare e differire in base ai seguenti fattori:
 1. il luogo in cui viene commissionata la barca
 2. le esigenze degli enti locali
 3. il tipo di utilizzo dell'imbarcazione
 4. l'ora del giorno
 5. le condizioni operative
 6. le dimensioni, la velocità, la rotta, il tipo di imbarcazione (a motore, a remi, ecc.)
 7. la modalità di navigazione
- Tutti i passeggeri a bordo devono indossare un abbigliamento adeguato e un giubbotto di salvataggio.
- Assicurarsi che l'attrezzatura standard della barca (remi, pompa dell'aria e kit di riparazione) sia a bordo. A volte è necessario un equipaggiamento di sopravvivenza diverso dagli articoli obbligatori.
- Un individuo sotto l'effetto di droghe o alcol non è in condizione di pilotare una barca.
- Non superare la portata massima e la potenza massima del motore indicate sulla targa del costruttore dell'imbarcazione.
- Particolare attenzione dovrebbe essere prestata al vento e alle correnti, poichè la loro variazione influirà sul consumo di carburante.



- Se si prevede di navigare in acque sconosciute, consultare chi ha familiarità con l'area in merito a possibili pericoli e pericoli.
- Riportare sempre l'ora e il punto di partenza, il percorso e l'orario previsto per il ritorno a qualcuno a terra.
- Non navigare al buio o in condizioni pericolose se non è stata installata una corretta illuminazione di navigazione.
- Non utilizzare una fonte di aria compressa per gonfiare la barca. Un gonfiaggio eccessivo può causare la rottura delle cuciture e/o delle pareti.
- L'uso dei remi o di un piccolo motore fuoribordo dipende dalle condizioni. La potenza potrebbe non essere sufficiente per contrastare correnti, piccoli canali o acque poco profonde.
- Rispettare la potenza massima della tua imbarcazione. Un motore eccessivamente potente può causare manovrabilità e rischi per la stabilità.
- Equipaggia il tuo motore fuoribordo con un cavo di emergenza. Questo interruttore arresterà il motore se l'operatore dovesse tirare il cavo, per qualsiasi motivo.
- Controllare regolarmente che il motore sia ben fissato. Viti allentate possono rendere incontrollabile l'imbarcazione o provocare il distacco del motore!!

AVVISI DI NAVIGAZIONE

- Tutti i passeggeri devono essere seduti all'interno della barca e devono essere in grado di tenersi con una o entrambe le mani. Non sedersi sulle camere d'aria.
- I motori fuoribordo sono pericolosi. La manipolazione brusca della vostra offerta può causare lesioni gravi o morte.
- Non equipaggiare mai un'imbarcazione con un motore per il quale non è adatta. Stare lontano dai bagnanti e non permettere loro di avvicinarsi alla parte posteriore dell'imbarcazione quando il motore è in funzione.
- Evitare accelerazioni rapide che potrebbero causare la caduta in mare dei passeggeri.
- Il peso deve essere distribuito uniformemente. Non accelerare improvvisamente se la tua barca è motorizzata e non molto carica. Una barca mal controllata può causare problemi di stabilità e di manovra.
- Evitare banchi di sabbia e acque poco profonde o avvicinarsi con estrema cautela.
- Se una delle camere si fora, spostare il carico dell'imbarcazione sul lato opposto. Cerca di limitare la perdita con la mano o una cinghia e dirigitelo verso l'area di attracco sicura più vicina il più rapidamente possibile.
- Non permettere ai bambini di guidare la barca senza la supervisione di adulti.
- Porta sempre con te i remi in posizione.

ATTRACCO

- Non utilizzare il motore durante l'attracco sulla spiaggia.
- Evitare oggetti appuntiti quando si arriva in banchina o a riva.
- Non trascinare l'imbarcazione su rocce, sabbia, ciottoli o superfici asfaltate.
- Trasportare sempre la barca.
- Coprire la barca quando la si lascia al sole fuori dall'acqua per lunghi periodi di tempo.
- Se si lascia l'imbarcazione su una spiaggia, lasciare una parte dell'imbarcazione in acqua per raffreddare l'imbarcazione ed evitare la sovrappressione della camera d'aria.
- Si sconsiglia di trainare la barca, l'anello anteriore serve solo per ormeggiare o assicurare una cima di.

POMPA A PEDALE

AVVERTIMENTO:

- Non utilizzare una fonte di aria compressa per gonfiare la barca. Un gonfiaggio eccessivo può causare la rottura delle cuciture e/o delle pareti.
- Usa la pompa appositamente progettata per gonfiare la tua barca.
- La pompa a pedale può fornire la pressione dell'aria necessaria per gonfiare completamente l'imbarcazione. Per gonfiare, inserire il tubo nel foro di uscita sulla pompa. Ti consigliamo di portare sempre a bordo la pompa a pedale per sicurezza.
- Prima di intraprendere un lungo viaggio, gonfiare l'imbarcazione per 24 ore complete per assicurarsi che tutte le camere siano completamente ermetiche.

CAUTELA:

Prima di salire a bordo, controllare sempre che la barca sia adeguatamente gonfiata.





ISTRUZIONI DI MONTAGGIO DELLA BARCA A PIANTANA IN CFRP

1. Liberare uno spazio piatto (assicurandosi che sia pulito e privo di oggetti appuntiti) per aprire la barca. Rimuovere lo scafo dalla sua scatola ed estrarlo dalla borsa della barca. Srotolare lo scafo in modo che sia ben disteso.
2. Gonfiare l'imbarcazione con la pompa a pedale ad alta pressione al 90%. Iniziare a pompare la barca sulla sezione del tubo con la valvola di sicurezza di sovrappressione.

Nota: non utilizzare un compressore d'aria. I danni all'imbarcazione causati da un gonfiaggio eccessivo di un compressore d'aria non sono coperti dalla garanzia.

3. Installare il sedile in facendo scorrere le flange sul fondo del sedile sulle guide poste sui galleggianti laterali.
4. Completare il gonfiaggio di tutte le camere dello scafo al 100%, o 0,25 bar di pressione. Il tubo principale della barca ha una valvola di sovrappressione incorporata per una maggiore sicurezza.
5. Fissare i remi agganciandoli alle serrature.

DEFLATION

Rimuovere i cappucci delle valvole esterne per esporre lo stelo di plastica sulla valvola interna. Premere lo stelo per rilasciare la pressione dell'aria e ruotarlo per bloccare la valvola in posizione aperta. Sgonfiare ciascuna camera dello scafo al 50-75% prima di sgonfiare completamente l'aria camere.

Nota: non sgonfiare completamente una camera mentre le altre sono completamente gonfiate. Ciò potrebbe danneggiare le paratie della vostra barca.

MANUTENZIONE E CONSERVAZIONE

- Per pulire il tubo dalla sabbia e dallo sporco sciolto. Lasciarlo asciugare prima di riporlo completamente. La maggior parte dello sporco può essere rimossa con un tubo da giardino, una spugna e un sapone neutro. Non utilizzare detergenti chimici aggressivi.
- Non usare mai prodotti per la lucidatura o la pulizia contenenti alcol per pulire la tua moto d'acqua. Ciò potrebbe causare il degrado del materiale della camera d'aria.
- Conservare in un luogo pulito e asciutto. Non conservare a temperature estreme (cioè oltre 150F/sotto - 10F).
- Se riponete la vostra barca per lunghi periodi ripiegata nella borsa, assicuratevi che sia completamente asciutta, non ricoprite o ricoprite con borotalco o altre polveri simili.
- Può essere conservato gonfio o sgonfio.
- Se lasciata all'esterno è consigliabile alzare l'imbarcazione da terra.
- Se sarà esposto alla luce solare diretta o esposto a foglie, bacche o pioggia, coprirlo con un telone.
- Si sconsiglia di appendere la barca.
- Se lasci la barca in acqua, probabilmente dovrai drenare l'acqua piovana a volte. Se lo riponi in un armadio, in un seminterrato o in un garage, ti consigliamo di scegliere un luogo fresco e asciutto, assicurandoti che la barca sia pulita e asciutta prima di riporla, altrimenti la muffa potrebbe accumularsi.
- Non riporre mai un'imbarcazione con carburante nel serbatoio in una stanza in cui i vapori del carburante possono raggiungere fiamme, scintille o una forte fonte di calore.

RISOLUZIONE DEI PROBLEMI

1. Perdite

Dopo 2 o 3 giorni si può verificare un leggero calo di pressione dovuto al cambiamento di temperatura. In tal caso, aggiungere alcune pompe d'aria in ciascuna camera. Se stai perdendo pressione dell'aria, e ciò non è dovuto a temperature più fredde, controlla la barca per eventuali perdite, iniziando dalle valvole. Lo strumento migliore per trovare le perdite è l'acqua saponata in un flacone spray. Si consiglia di mescolare acqua e sapone in un flacone spray. Spruzzare intorno alla valvola. Se vedi la formazione di bolle, controlla la sede e la base della valvola e assicurati che l'insero della valvola sia ben avvitato. Se continui ad avere problemi, contatta support@nashtackle.co.uk per ordinare nuove valvole. La sostituzione dell'intera valvola può essere eseguita con un semplice strumento fornito con una valvola di ricambio.

2. Trovare le forature

Piccole forature possono essere riparate facilmente e in modo permanente. Spruzzare all'interno e all'esterno dello scafo fino a quando le bolle d'aria non segnano la posizione della perdita. Se non hai fortuna a trovare una perdita lenta con bolle d'aria, gonfia la barca alla massima pressione dell'aria e prova ad ascoltare per trovare la perdita. Se riesci a restringere l'area, torna con un flacone spray per identificare la fonte della perdita.

Fare piccole riparazioni.

Le forature di dimensioni inferiori a 3 mm / 1/8" possono essere riparate semplicemente senza patch. Sgonfia la barca, quindi pulisci e asciuga l'area da riparare.

Applicare una piccola goccia di colla per coprire la foratura e lasciarla asciugare per 12 ore. Se hai bisogno di entrare in acqua prima, lascialo asciugare per 30 minuti e poi gonfia la barca, gonfiando il vano con la riparazione solo per 3/4. Questa riparazione potrebbe non essere permanente, quindi aggiungi di nuovo una goccia in un secondo momento per renderla permanente.

3. Strappi o scuciture

La tua barca viene fornita con un kit di riparazione come equipaggiamento standard. Tagliare un pezzo di materiale di riparazione abbastanza grande da sovrapporsi all'area danneggiata di circa 12 mm / 1/2" e arrotondare i bordi. Applicare la nostra colla sul lato inferiore del cerotto e intorno all'area da riparare. Troppa colla interferirà con una corretta riparazione. Lasciare che l'adesivo diventi appiccicoso per 2-4 minuti, quindi applicare il cerotto sull'area danneggiata.

Utilizzare un peso per applicare 3-5 libbre. di pressione per 12 ore. Dopo che il cerotto si è asciugato, applicare la colla attorno ai bordi per una sigillatura completa (asciugare in 4 ore).

4. Riparazioni grandi e difficili



Se hai una riparazione difficile, contatta support@nashtackle.co.uk e ti consiglieremo sul modo migliore per riparare la tua barca.

5. Se vedi l'acqua entrare nella barca, controlla quanto segue:

1. La valvola di scarico è aperta?
2. Il diaframma nella valvola di scarico funziona correttamente?
3. Ha piovuto di recente?
4. C'è un buco nel pavimento?

Registrazione della garanzia

È possibile registrare una garanzia per questo prodotto online sul sito Web di Nash Tackle - www.nashtackle.com e seguire le istruzioni per la registrazione del prodotto nella pagina dell'elenco dei prodotti o visitare <https://register.nashtackle.co.uk/> Avrai bisogno di una scansione o foto della prova d'acquisto per completare la registrazione.

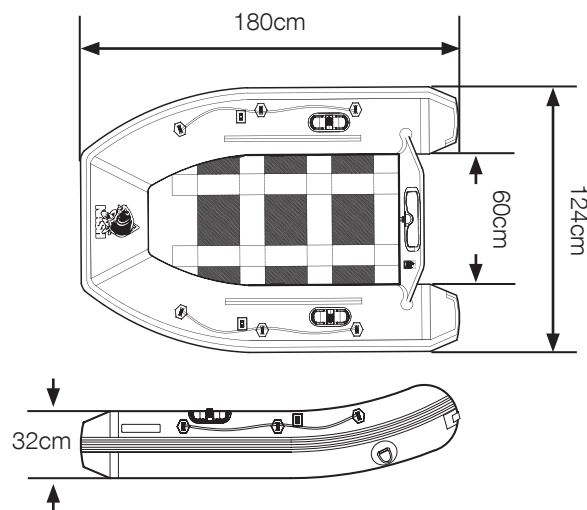
La garanzia non copre quanto segue:

1. Sovragonfiaggio dei tubi non superiore a 0,25 bar/3,63 psi
2. Sovragonfiaggio del ponte aereo non superiore a 0.69bar/10psi.
3. Perdite d'aria dovute a differenze di temperatura
4. Perdita d'aria attraverso la valvola di pressione in condizioni di caldo
5. Segni di piegatura. Questo è normale e scompaiono durante l'uso.
6. Residui di colla. Tutte le barche Nash sono fatte a mano e potrebbero essere visibili segni di colla occasionali.
7. Piccole imperfezioni sulle parti incollate, che non pregiudicano la fruibilità.
8. Bassa perdita d'aria entro 48 ore (fino al 20% di perdita d'aria rispetto alla pressione di esercizio).
9. Danni causati da incuria nell'uso, ad esempio sigarette, ganci.
10. Danni causati dal traino dell'imbarcazione o dall'utilizzo dell'imbarcazione per trainare un'altra imbarcazione.
11. Danni causati dall'uso di solventi di qualsiasi natura
12. Danni causati da acido della batteria, olio e carburante.
13. Danni causati da smalto, crema solare/olio.
14. Danni causati da repellente per insetti.
15. Danni causati da un uso improprio.
16. Danni causati dal lavaggio ad alta pressione.
17. Danni causati dall'uso di detersivi aggressivi.
18. Danni causati da montaggio e smontaggio non corretti della barca.
19. Danni causati da conservazione impropria, scarsa ventilazione.
20. Danni causati da pulizia e manutenzione inadeguata dell'imbarcazione.
21. Danni durante il trasporto.
22. Danni causati dall'uso di compressori a pressione per gonfiare o sgonfiare la barca.
23. Danni dovuti alla normale usura.
24. Danni causati dall'uso della forza.
25. Danni causati da animali a bordo.
26. Danni causati dall'acqua all'interno del tubo.
27. Danni allo scafo a causa di incuria, nonché influenze esterne.
28. Danni causati dalla partecipazione a gare di qualsiasi genere.
29. Danni causati dall'uso di accessori non omologati.
30. Danni causati dal superamento della potenza massima accettabile KW/HP nonché dal peso del motore consentito.
31. Danni causati dal superamento del carico utile consentito e del numero di persone consigliato.

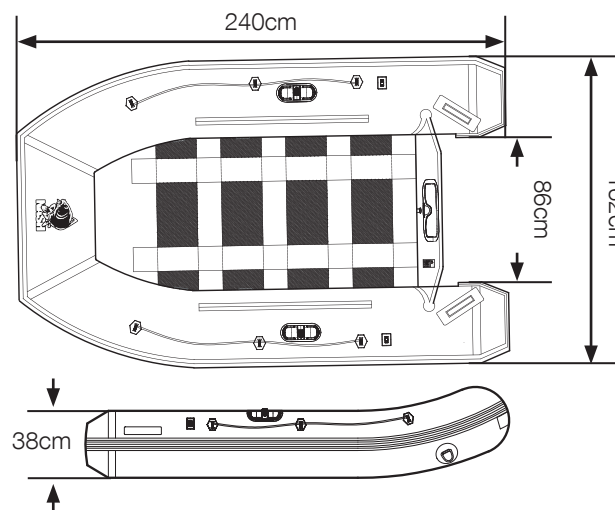
*I tuoi diritti legali rimarranno inalterati..



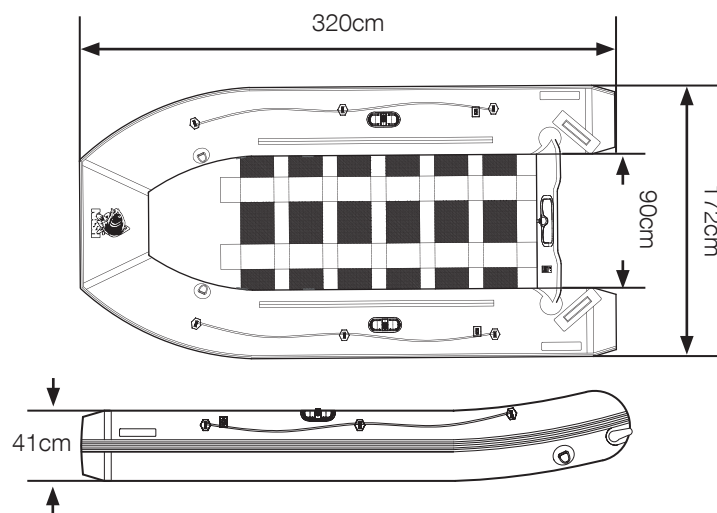
RIB180



RIB240



RIB320



Se hai un problema con la tua barca coperto da garanzia, dovresti procedere come segue:

1. Contatta il tuo luogo di acquisto e spiega il problema.
2. Il rivenditore dovrà contattare support@nashtackle.co.uk con una fotografia e una spiegazione del problema insieme alla prova di acquisto.
3. Confermeremo se il problema è coperto dalla garanzia.
4. Una volta confermato, il rivenditore deve inviare una richiesta di reso tramite corriere al Reparto Assistenza e noi organizzeremo il ritiro della barca.
5. Esamineremo quindi la barca e organizzeremo la riparazione o la sostituzione di conseguenza.

GONFIAGGIO DELL' AIR DECK OPZIONALE (*SOLO RIB 320)

1. Trova una superficie piana dove verrà assemblata la barca
2. Apri ed allarga la barca in piano
3. Gonfiare i tubi della barca a prua, a dritta e a babordo fino a circa il 50% della capacità.
4. Quando si desidera utilizzare il sedile, posizionarlo quando i tubi della barca sono gonfi a circa il 50%.
5. Posiziona l'Air Deck alla base della barca e gonfialo a circa il 70%
6. Gonfia i tubi a prua, a tribordo e a babordo al 100%
7. Gonfia l'Air Deck al 100%

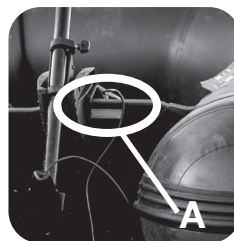
NOTA: la pressione massima di gonfiaggio dell'Air Deck è di 10 PSI (0.69 Bar)



(PL)

Gratulujemy zakupu pontonu Nash. Aby skorzystać z przedłużonej 24-miesięcznej gwarancji, zarejestruj gotutaj: <https://register.nashtackle.co.uk>

UWAGA: W celu rejestracji będziesz musiał przesłać skan lub zdjęcie dowodu zakupu. Numer seryjny pontonu znajduje się na tabliczce znamionowej, umieszczonej z tyłu łodzi na pawęży (patrz schemat A).



**2 YEAR
GUARANTEE**



OSTRZEŻENIE

- Nie napełniaj jednocześnie jednej komory łodzi do pełna, ponieważ powoduje to niepotrzebne naprężenie przedniej grodzi.
- Utrzymuj podobną ilość powietrza w każdej z komór, tak aby grodzie dzielące komory powietrzne były utrzymywane w sposób równomierny.
- Nadmierne napompowanie Air Decka może spowodować uszkodzenie konstrukcji pontonu. Nie pozwól, aby był on wystawiony na bezpośrednie działanie promieni słonecznych, ponieważ może to spowodować rozszerzenie się powietrza do punktu uszkodzenia lub pęknięcia poszycia pontonu.

PONTONY NASH

Dziękujemy za wybór pontonów firmy Nash. Prosimy o zapoznanie się z informacjami zawartymi w niniejszej instrukcji obsługi dla własnego bezpieczeństwa i właściwego użytkowania pontonu. Przechowuj tę instrukcję w miejscu pozbawionym wilgoci wraz z pontonem. W przypadku sprzedaży pontonu upewnij się, że instrukcja obsługi zostanie przekazana nowemu właścicielowi.

SPECYFIKACJA PONTONÓW

MODEL	PODŁOGA	DŁUGOŚĆ CAŁKOWITA	SZEROKOŚĆ CAŁKOWITA	LICZBA KOMÓR	WAGA	MAKSYMALNA MOC SILNIKA	MAKSYMALNA ŁADOWNOŚĆ (KG)	DOPUSZCZALNA ILOŚĆ OSÓB	NORMY
RIB-180SL	CFRP Slat	180cm	126cm	2	24.5KG	2.5KW/3.5HP	250	2	ISO 9001:2015
RIB-240SL	CFRP Slat	240cm	151cm	3	33.5KG	4.4KW/6HP	350	3	ISO 9001:2015
RIB-320SL	CFRP Slat	320cm	162cm	3	49.5KG	7.5KW/10HP	525	4+1	CE EN6185-2

WPŁYW UŻYTKOWANIA PONTONU NA ŚRODOWISKO

- Zawsze używaj ponton z szacunkiem dla otaczającego Cię środowiska naturalnego.
- Unikaj wytwarzania nadmiernego hałasu i wysokiego zużycia paliwa.
- Pływanie pontonem wytwarza fale i hałas, które mogą być szkodliwe dla środowiska naturalnego.
- Przed rozpoczęciem pływania zapoznaj się z lokalnymi przepisami użytkowania środków pływających i przestrzegaj ich podczas wykorzystywania pontonu.

INSTRUKCJA BEZPIECZEŃSTWA

Przeczytaj niniejszą instrukcję uważnie.

- Pontony Nash nie są przystosowane do użytkowania na morzu.
- Uważnie przeczytaj instrukcję dołączoną do wybranego silnika zaburtowego, jeśli zamierzasz go użyć.
- Obowiązkiem użytkownika pontonu jest zapoznanie się i przestrzeganie przepisów w zakresie wyposażenia i obsługi środka pływającego.
- Obowiązujące przepisy i regulacje prawne mogą ulegać zmianie i różnić się w zależności od następujących czynników:
 1. Miejsca użytkowania środka pływającego.
 2. Lokalnych przepisów.
 3. Rodzaju środka pływającego.
 4. Pory dnia.
 5. Warunków atmosferycznych.
 6. Wielkości i szybkości środka pływającego, przebiegu trasy jak i wyposażenia (moc silnika, wiosła, kamizelki asekuracyjne).
 7. Sposobu nawigacji.
- Wszyscy pasażerowie muszą być odpowiednio ubrani i posiadać kamizelki ratunkowe.
- Upewnij się, że na pokładzie znajduje się standardowe wyposażenie w postaci wiosła, pompki i zestawu naprawczego. Niekiedy niezbędny okazać się może sprzęt survivalowy, inny niż standardowe wyposażenie.
- Osoba pod wpływem alkoholu lub narkotyków nie może prowadzić środka pływającego.
- Nie należy przekraczać dopuszczalnego maksymalnego obciążenia i dopuszczalnej mocy maksymalnej silnika podanych na tabliczce znamionowej producenta.
- Planując trasę zwracaj uwagę na kierunek wiatru i uciąg wody, gdyż wpływają one bezpośrednio na zużycie paliwa lub prądu silnika zaburtowego.



- Jeśli planujesz pływać po nieznanymi zbiornikach wodnych, skonsultuj się z osobami zaznajomionymi z tym obszarem w sprawie poznania możliwych zagrożeń i niebezpieczeństw.
- Zawsze informuj osoby na łodzi o czasie i miejscu wypłynięcia, planowanej trasie i szacunkowej porze powrotu.
- Nie nawiguj w ciemności lub w niebezpiecznych warunkach, jeśli nie posiadasz prawidłowego oświetlenia nawigacyjnego.
- Nie używaj kompresora do pompowania pontonu. Nadmierne ciśnienie może uszkodzić szwy, ścianki lub zawory pontonu.
- Wykorzystanie wioseł lub niewielkich silników zaburtowych uzależnione jest od panujących warunków. Wykorzystywana moc może nie wystarczyć, aby przeciwstawić się prądom wodnym, małym kanałom lub płytkiej wodzie.
- Nigdy nie przekraczaj dopuszczalnej maksymalnej mocy zamontowanego silnika podanej w instrukcji. Silnik o zbyt dużej mocy może powodować utratę sterowności i stabilności jednostki pływającej.
- Silnik powinien posiadać awaryjny przewód wyłącznika zasilania, który pozwoli Ci w każdej chwili wyłączyć silnik, pociągając za linkę.
- Regularnie sprawdzaj, czy silnik jest dobrze zamocowany. Luźne śruby mogą spowodować problemy ze sterownością lub odłączenie się silnika od jednostki pływającej!

ZASADY UŻYTKOWANIA

- W jednostce pływającej wszyscy pasażerowie powinni siedzieć wewnątrz jednostki, posiadając możliwość przytrzymania się, w razie konieczności. Nie należy siadać na komorach z powietrzem.
- Silniki zaburtowe są niebezpieczne i wymagają znajomości obsługi. Nieostrożne obchodzenie się z nimi może prowadzić do trwałych uszkodzeń ciała lub śmierci.
- Nigdy nie instaluj silnika, który nie jest przystosowany do twojej jednostki pływającej. W przypadku obecności w zbiorniku wodnym osób pływających wpław należy utrzymywać od nich bezpieczną odległość. Nie pozwalaj im zbliżać się do łodzi, gdy silnik pracuje.
- Unikaj gwałtownego dodawania gazu, może to spowodować wypadnięcie pasażerów za burtę.
- Ciężar znajdujący się w jednostce pływającej musi zostać rozłożony równomiernie. Przesunięcie środka ciężkości na jedną ze stron może spowodować utratę sterowności lub stabilności.
- Pływaj bardzo ostrożnie i rozważnie w miejscach z płytką wodą.
- W przypadku przebicia jednej z komór przesunąć ładunek znajdujący się w jej pobliżu na drugą stronę pontonu. W miarę możliwości postaraj się ograniczyć uciekanie powietrza. Jak najszybciej kieruj się do brzegu.
- Dzieci mogą pływać pontonem tylko w obecności dorosłych.
- Zawsze posiadaj zainstalowane wiosła.

DOKOWANIE

- Wyłączaj silnik, kiedy dopływasz do brzegu.
- Zbliżając się do brzegu unikaj ostrych wystających z wody przedmiotów
- Nigdy nie ciągnij pontonu po kamieniach, piasku, żwirze, deskach i czy asfaltowych nawierzchniach.
- Zawsze unosić ponton podczas jego transportu.
- Przykryj ponton, kiedy zostawiasz go na słońcu, poza wodą na dłuższy czas.
- W przypadku pozostawiania pontonu na plaży zanurz jego część w wodzie, by zapewnić mu możliwość schłodzenia i unikaj zbyt wysokiego ciśnienia w komorach powietrznych.
- Nie zaleca się holowania pontonu. Przedni pierścień służy do cumowania lub użytkowania liny kotwicznej.

UŻYTKOWANIE POMPKI NOŻNEJ

- Nie należy używać sprężarki do pompowania pontonu. Zbyt wysokie ciśnienie może uszkodzić szwy, burty lub także zawory.
- Należy używać pompki przystosowanej do pompowania pontonów.
- Pompka nożna wytwarza ciśnienie wystarczające do pełnego napompowania pontonu. Aby użyć pompki należy zamontować jeden koniec węża w otworze wylotowym pompki, a drugi koniec w zaworze wlotowym pontonu. Zaleca się, aby pompka nożna zawsze znajdowała się na pokładzie jednostki pływającej.
- W przypadku długiej trasy, jeśli to możliwe napompuj ponton 24 h przed początkiem podróży, aby być pewnym, że ponton jest szczelny.

UWAGA

Przed wejściem na pokład zawsze upewnij się, że ponton jest prawidłowo napompowany.



INSTRUKCJA ROZKŁADANIA PONTONU

1. Przygotuj sobie kawałek wolnej płaskiej przestrzeni, na której rozłożysz ponton. Upewnij się, że jest czysta i wolna od ostrych przedmiotów. Wyjmij ponton, a następnie rozwiń tak, by leżał płasko.

2. Pompuj ponton wysokociśnieniową pompką nożną do około 90%. Zaczynaj pompować ponton podłączając pompkę do zaworów.

Notatka: Nie używaj sprężarki. Uszkodzenia powstałe w wyniku nadmiernego ciśnienia powietrza nie podlegają gwarancji.

3. Zamontuj ławkę, wsuwając ją na znajdujące się na wewnętrznej stronie burt szyny prowadzące.

4. Napompuj ponton do 100% czyli ciśnienia 0,25 bara. Pompowane komory posiadają zawór wysokociśnieniowy, który chroni przed nadmiernym napompowaniem jednostki pływającej.

5. Zabezpiecz wiosła wpinając je w uchwyty.

WYPOMPOWANIE POWIETRZA

Zdejmij zewnętrzne zaślepki zaworów, aby odsonić plastikowy trzpień w zaworze wewnętrznym. Wciśnij trzpień, aby uwolnić powietrze i obróć go, aby zablokować zawór w pozycji otwartej. Opróżnij każdą komorę kadłuba do 50-75% przed całkowitym spuszczeniem powietrza.

Uwaga: Nie opróżniaj całkowicie jednej komory, kiedy pozostałe są w pełni napompowane. Może to doprowadzić do uszkodzenia grodzi wewnątrz komór.

PRZECHOWYWANIE I KONSERWACJA

- Przed zapakowaniem oczyść ponton z piasku i luźnego brudu oraz dokładnie wysusz. Większość powstałych zabrudzeń można usunąć za pomocą strumienia bieżącej wody i łagodnego mydła. Nie używaj do czyszczenia mocnych środków chemicznych.
- Do czyszczenia nigdy nie używaj materiałów polerskich ani środków chemicznych na bazie alkoholu, gdyż może to uszkodzić materiał.
- Przechowuj ponton w suchym i czystym miejscu. Nie przechowuj ponton w ekstremalnych temperaturach (ponad 60°C / poniżej 12°C).
- W przypadku przechowywania złożonego pontonu przez dłuższy czas upewnij się, że został dokładnie wysuszony. Nie pokrywaj jego powierzchni talkiem ani żadnym innym proszkiem.
- Ponton może być przechowywany zarówno napompowany jak i ze spuszczonego powietrzem.
- W przypadku przechowywania na zewnątrz zaleca się niepozostawianie pontonu bezpośrednio na gruncie.
- Podczas przechowywania na zewnątrz należy przykryć ponton plandeką, by uchronić go od działania bezpośrednich promieni słonecznych, deszczu, a także od osiadania liści i nasion z drzew.
- Przechowywanie w pozycji wiszącej nie jest zalecane.
- Jeśli pozostawisz ponton zacumowany w wodzie musisz od czasu do czasu usuwać nagromadzoną deszczówkę. W przypadku przechowywania w szafie, piwnicy lub garażu upewnij się, że wybrane miejsce jest suche i chłodne, a ponton odpowiednio wysuszony i czysty. W innym wypadku istnieje ryzyko osiadania pleśni i grzybów.
- Jeśli korzystasz z silnika spalinowego to przed zamknięciem go w pomieszczeniu usuń z niego paliwo. Powstałe opary są niebezpieczne.

ROZWIĄZYWANIE PROBLEMÓW

1. Szczelność

Po kilku dniach od napompowania może nastąpić niewielki spadek ciśnienia w komorach spowodowany zmianą temperatury. W takim wypadku dopompuj trochę powietrza do każdej komory. Jeśli tracisz ciśnienie powietrza i nie jest to spowodowane niższymi temperaturami, sprawdź ponton pod kątem szczelności, zaczynając od zaworów. Użyj wymieszanej wody z mydłem w butelce ze spryskiwaczem. Rozpyl wokół zaworu. Jeśli zauważysz tworzenie się pęcherzyków, sprawdź gniazdo i podstawę zaworu i upewnij się, że wkładka zaworu jest mocno dokręcona. Jeśli nadal masz problemy, skontaktuj się z support@nashtackle.co.uk, aby zamówić nowe zawory. Wymianę całego zaworu można wykonać za pomocą prostego narzędzia, które jest dostarczane z zaworem zastępczym.

2. Przebicia

Jeśli ponton traci powietrze, a wszystkie zawory są szczelne, prawdopodobnie powstało przebicie, które można łatwo i trwale naprawić. Spryskaj wewnętrzną i zewnętrzną stronę kadłuba, aż pęcherzyki powietrza pokażą miejsce nieszczelności. Jeśli nie uda ci się znaleźć w ten sposób miejsca przebicia, napompuj ponton do maksymalnego ciśnienia i spróbuj nasłuchiwać, odgłosu uciekającego powietrza. Zawiąż obszar poszukiwań i spróbuj ponownie użyć butelki z rozpylaczem.

Dokonywanie drobnych napraw.

Dziury o rozmiarze mniejszym niż 3 mm można łatwo naprawić bez użycia łątki. Opróżnij łódź, a następnie wyczyść i osusz obszar do naprawy.

Nałóż niewielką kroplę kleju, aby zakryć nieszczelność i pozostaw do wyschnięcia na 12 godzin. Jeśli chcesz wcześniej zacząć użytkować ponton, pozostaw ją do wyschnięcia na 30 minut, a następnie napompuj jednostkę pływającą, napełniając naprawianą komorę tylko w ¼ pojemności. Taka spoina może nie być wystarczająco trwała, więc nałóż jeszcze jedną warstwę po upływie 12 godzin dla pełnej trwałości.

3. Rozdarcia i przecięcia

W standardowym wyposażeniu pontonu znajduje się zestaw naprawczy. Wytnij kawałek łątki o zaokrąglonych krawędziach wystarczająco duży, aby wystawał około 12 mm poza uszkodzony obszar. Nałóż nasz klej na spód łątki i wokół naprawianego obszaru. Zbyt duża ilość kleju zakłóci prawidłową naprawę. Poczekać 2- 4 minut aż klej zacznie wiązać, a następnie umieść łątkę na uszkodzonym obszarze.

Użyj obciążenia (ok 2kg), aby docisnąć łątkę przez 12 godzin. Po osiągnięciu pełnej trwałości kleju nałóż go na krawędzie, aby uzyskać całkowite uszczelnienie (schnięcie w ciągu 4 godzin).

4. Duże i trudne uszkodzenia

Jeśli masz duże i trudne uszkodzenie, skontaktuj się z support@nashtackle.co.uk, a doradzimy Ci, jak najlepiej naprawić ponton.

5. Jeśli zauważysz wodę wypełniającą ponton, sprawdź następująco:

1. Czy zawór spustowy czy nie jest otwarty?
2. Czy membrana w zaworze spustowym domyka się prawidłowo?
3. Zastanów się czy ostatnio nie padał deszcz?
4. Czy w podłodze nie powstała dziura?

Rejestracja gwarancji produktu

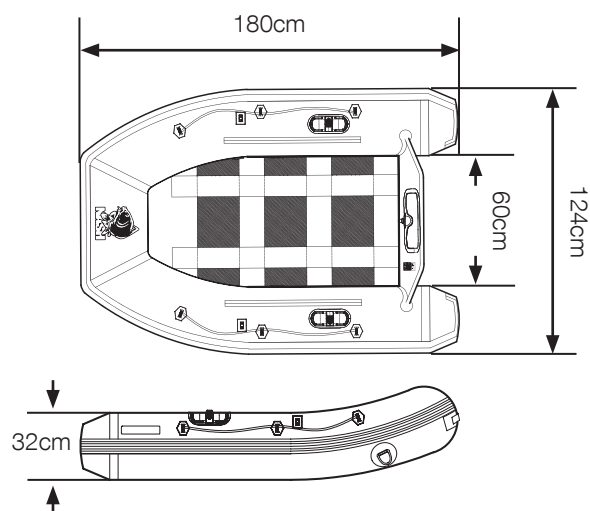
Możesz zarejestrować gwarancję na ten produkt na stronie internetowej Nash Tackle - www.nashtackle.com wybierając przedmiot z listy produktów lub odwiedź stronę <https://register.nashtackle.co.uk>. Będziesz potrzebował skan lub zdjęcie dowodu zakupu, aby zakończyć rejestrację..

Gwarancja nie obejmuje::

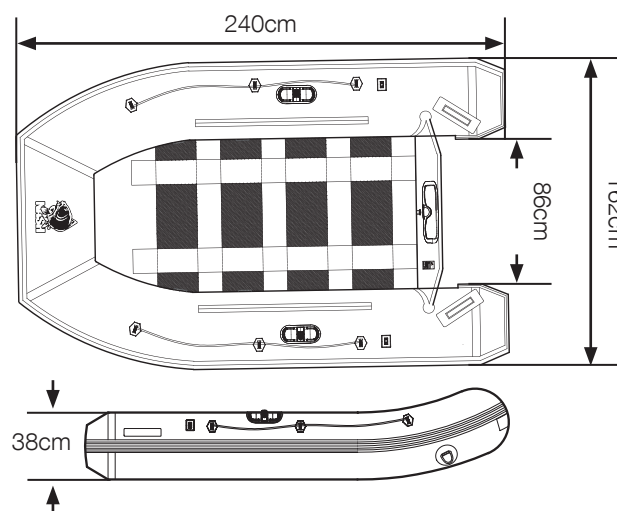
1. Nadmiernego napompowania komór (przekroczenie wartości 0.25bar/3.63psi).
2. Nadmiernego napompowania air decka (przekroczenie wartości 0.69bar/10psi).
3. Utraty powietrza w wyniku zmian temperatury.
4. Utraty powietrza w wyniku wysokich temperatur.
5. Śladów po składaniu. Znikną po napompowaniu pontonu.
6. Pozostałości kleju na łączeniach. Wszystkie pontony Nash są ręcznie robione i sporadyczne ślady kleju mogą być widoczne.
7. Drobnych niedoskonałości na klejonych elementach, które nie wpływają na walory użytkowe.
8. Niewielkiej utraty powietrza w ciągu 48 godzin (do 20% strat powietrza w stosunku do ciśnienia roboczego).
9. Uszkodzeń powstałych w wyniku nieostrożnego użytkowania (haczyki, papierosy itp.).
10. Uszkodzeń spowodowanych holowaniem łodzi lub używaniem łodzi do holowania innej łodzi.
11. Uszkodzeń spowodowanych użyciem wszelkiego rodzaju rozpuszczalników.
12. Uszkodzeń spowodowanych paliwem, olejem silnikowym lub kwasem akumulatorowym.
13. Uszkodzeń spowodowanych przez lakier do paznokci lub balsam/olejek do opalania.
14. Uszkodzeń spowodowanych przez środki przeciwko insektom.
15. Uszkodzeń spowodowanych przez niewłaściwe użytkowanie.
16. Uszkodzeń spowodowanych przez mycie strumieniem pod ciśnieniem.
17. Uszkodzeń spowodowanych czyszczeniem środkami chemicznymi.
18. Uszkodzeń spowodowanych niewłaściwym składaniem i rozkładaniem pontonu.
19. Uszkodzeń spowodowanych niewłaściwym przechowywaniem i słabą wentylacją
20. Uszkodzeń spowodowanych niewłaściwym czyszczeniem i konserwacją pontonu.
21. Uszkodzeń powstałych w transporcie.
22. Uszkodzeń powstałych w wyniku pompowania pontonu za pomocą sprężonego powietrza.
23. Uszkodzeń powstałych w wyniku użytkowania.
24. Uszkodzeń powstałych w wyniku użycia siły.
25. Uszkodzeń powstałych przez zwierzęta.
26. Uszkodzeń powstałych w wyniku dostania się wody do wnętrza komór.
27. Uszkodzenia kadłuba w wyniku nieostrożności, a także czynników zewnętrznych.
28. Uszkodzeń powstałych w wyniku udziału w wyścigach.
29. Uszkodzeń powstałych w wyniku użycia nieoryginalnych akcesoriów.
30. Uszkodzeń powstałych w wyniku przekroczenia maksymalnej dopuszczalnej mocy oraz masy silnika.
31. Uszkodzeń spowodowanych przekroczeniem maksymalnej dopuszczalnej ilości osób na pokładzie.

*Twoje prawa pozostają nienaruszone.

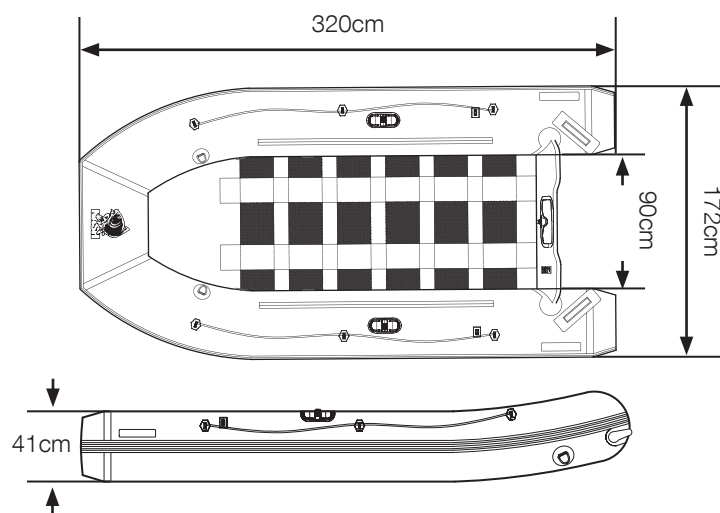
RIB180



RIB240



RIB320



Jeśli masz problem z pontonem objętym gwarancją, postępuj w następujący sposób:

1. Skontaktuj się z miejscem zakupu pontonu, aby opisać problem i uzyskać informację.
2. Sprzedawca powinien skontaktować się z support@nashackle.co.uk opisując problem i przedstawiając zdjęcie, dowód zakupu.
3. Sprawdzimy czy występujący problem jest objęty gwarancją.
4. Po potwierdzeniu sprzedawca musi zgłosić zwrot do Działu Wsparcia, a my zapewnimy odbiór pontonu przez firmę kurierską.
5. Dokonamy przeglądu pontonu i w zależności od diagnozy wykonamy naprawę lub wymianę jednostki pływającej.

OPCJONALNY AIR DECK (*DOSTĘPNY TYLKO DLA MODELU RIB 320)

1. Znajdź płaską powierzchnię, na której ponton będzie rozłożony, usuwając wszelkie ostre przedmioty.
2. Rozwiń i rozłóż ponton na płasko.
3. Napompuj przód oraz burty pontonu do 50%.
4. Jeśli chcesz umieścić siedzenie, zrób to gdy przód i burty pontonu są napompowane w około 50%.
5. Umieść Air Deck na spodzie pontonu i napompuj do 70%.
6. Dopompuj przód oraz burty pontonu do 100%.
7. Dopompuj Air Deck do 100%.

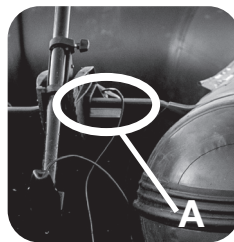
UWAGA: Maksymalne ciśnienie napompowanego Air Decka wynosi 10 PSI (0.69 Bar)

(CZ)



Děkujeme k zakoupení nafukovacího člunu Nash. Zaregistrujte si svůj člun a využijte prodlouženou 24měsíční záruku zde: <https://register.nashtackle.co.uk>

POZNÁMKA: Pro registraci budete muset nahrát fotografii nebo naskenovanou kopii vašeho dokladu o nákupu. Sériové číslo najdete na štítku na zadní straně člunu (viz diagram A).



**2 YEAR
GUARANTEE**



VAROVÁNÍ

- Nenaufukujte komory člunu najednou.
- Člun nafukujte stejnoměrně – nenaufukujte jednotlivě komory.
- Nadměrné nafouknutí může způsobit poškození vašeho člunu.
- Nenechávejte váš člun na přímém slunci, když je mimo vodu.

NAFUKOVACÍ ČLUN NASH

Děkujeme, že jste zakoupili nafukovací člun Nash. Přečtěte si prosím tuhle přiloženou uživatelskou příručku pro vaše vlastní bezpečí a správnou péči o váš zakoupený člun. Uchovávejte tuto příručku na palubě člunu. Pokud se rozhodnete člun prodat, ujistěte se, že tato uživatelská příručka byla předána novému majiteli!.

TECHNICKÉ SPECIFIKACE

MODEL	PODLAHA	DÉLKA ČLUNU	ŠÍŘKA ČLUNU	POČET KOMOR	VÁHA ČLUNU	MAX. VÝKON MOTORU	MAX. ZÁTĚŽ KG	MAX. POČET OSOB	CERTIFIKAČNÍ ŠTÍTEK
RIB-180SL	CFRP podlaha	180cm	126cm	2	24.5KG	2.5KW/3.5HP	250	2	ISO 9001:2015
RIB-240SL	CFRP podlaha	240cm	151cm	3	33.5KG	4.4KW/6HP	350	3	ISO 9001:2015
RIB-320SL	CFRP podlaha	320cm	162cm	3	49.5KG	7.5KW/10HP	525	4+1	CE EN6185-2

VÁŠ ČLUN A ŽIVOTNÍ PROSTŘEDÍ

- Používejte člun s ohledem na životní prostředí.
- Vyvarujte se překročení povolené prahové hodnoty hluku a vytváření nadměrného množství spalin.
- Člun vytváří vlny a hluk, které mohou být škodlivé pro přírodní prostředí.
- Dodržujte zákony a předpisy o plavbě lodí.

BEZPEČNOSTNÍ INSTRUKCE

Čtěte prosím pozorně.

- Nafukovací čluny Nash nejsou určeny pro plavbu po moři.
- Pečlivě si přečtěte uživatelskou příručku, která je součástí balení člunu.
- Provozovatel člunu je povinen znát všechny aktuální předpisy a zákony pro plavbu lodí.
- Platné zákony a předpisy se mohou lišit podle následujících faktorů:
 1. Místo, kde je člun uveden do provozu.
 2. Požadavky a vyhlášky místních úřadů.
 3. Typem povolených lodí.
 4. Denní dobou.
 5. Provozními podmínkami.
 6. Velikostí člunu, rychlostí, trasou.
- AVšichni cestující na člunu musí mít na sobě vhodné oblečení a záchrannou vestu.
- Ujistěte se před plavbou, že člun obsahuje standardní vybavení (vesla, vzduchová pumpa a opravná sada).
- Plavba osobám na člunu pod vlivem drog nebo alkoholu je zakázána.
- Nepřekračujte maximální zatížení a maximální výkon motoru uvedeném na štítku výrobcem člunů.
- Pokud plánujete plavbu v neznámých vodách, poradte se o možných nebezpečích s osobami obeznámenými s danou oblastí.
- Vždy nahlaste někomu na břehu svůj čas a místo odjezdu, svou trasu a předpokládaný čas návratu.
- Neplavte se na člunu ve tmě nebo v nebezpečných podmínkách, pokud není na člunu nainstalováno správné osvětlení.
- K nafukování člunu nepoužívejte zdroj stlačeného vzduchu. Nadměrné nafouknutí může způsobit prasknutí švů a komor člunu.
- Respektujte maximálně možný motor uvedený na štítku na vašem člunu. Příliš výkonný motor může ohrozit manévrovatelnost a stabilitu člunu.

- Vybavte svůj přívěsný motor kabelem nouzového vypnutí.
- Pravidelně kontrolujte, zda je motor bezpečně upevněn. Uvolněné šrouby mohou způsobit neovladatelnost člunu nebo způsobit odpadnutí motoru!

VAROVÁNÍ

- Všichni cestující musí sedět uvnitř člunu a musí být schopni držet se jednou nebo oběma rukama. Nesedějte si na vzduchové komory.
- Přívěsné motory jsou nebezpečné. Hrubé zacházení může vést k vážnému zranění nebo k úmrtí.
- Nikdy nevybavujte člun motorem, pro který není uzpůsoben. Držte se dál od plavců a nedovolte jim, aby se přiblížili k zadní části člunu, když motor běží.
- Vyvarujte se prudké akceleraci, která by mohla způsobit pád cestujících přes palubu.
- Hmotnost musí být rovnoměrně rozložena. Pokud máte na člunu přívěsný motor a není dostatečně zatížen, nezrychlujte zprudka.
- Vyhnete se písečným místům a mělké vodě.
- Pokud dojde k propíchnutí jedné z komor, přesuňte náklad člunu na opačnou stranu a pokuste se omezit únik vzduchu rukou a co nejrychleji zamiřte k břehu.
- Nedovolte dětem používat člun bez dozoru dospělých.
- Vždy mějte připevněná na člunu vesla..

KOTVENÍ

- Pro příjezd na břeh nepoužívejte motor.
- Vyhybejte se ostrým předmětům, když připlouváte ke břehu.
- Netahejte člun přes kameny, písek nebo jiné ostré povrchy.
- Člun vždy noste, netahejte ho po zemi.
- Při delším ponechání člunu na slunci mimo vodu člun zakryjte.
- Pokud necháváte člun na břehu, nechejte jeho zadní část ve vodě, tak aby se člun ochlazoval a zabránilo se k přetlaku vzduchové komory.
- Nedoporučuje se člun táhnout, jeho přední madlo je určeno pouze pro kotvení nebo zajištění kotvicí šňůry.

NOŽNÍ PUMPA

VAROVÁNÍ:

- K nafukování člunu nepoužívejte zdroj stlačeného vzduchu. Nadměrné nafouknutí může způsobit prasknutí švů a komor.
- K nafouknutí člunu použijte speciálně navrženou pumpu.
- Nožní pumpa dodá dostatečný tlak vzduchu potřebný k úplnému nafouknutí člunu. Z bezpečnostních důvodů doporučujeme vždy nosit nožní pumpu na palubě člunu.
- Před dlouhou cestou nafoukněte člun na 24 hodin, abyste se ujistili, že všechny komory jsou zcela vzduchotěsné.

UPOZORNĚNÍ:

Před naloděním vždy zkontrolujte, zda je člun dostatečně nafouknutý.

NAFOUKNUTÍ ČLUNU

1. Na rovné ploše rozložte člun (ujistěte se, že plocha, na které člun rokládáte, je bez ostrých předmětů).
2. Nafoukněte člun pomocí vysokotlaké nožní pumpy na 90%.

Poznámka: Nepoužívejte vzduchový kompresor. Na poškození vašeho člunu způsobené přehuštěním vzduchovým kompresorem se nevztahuje záruka.

3. Nainstalujte hliníkovou lavici nasunutím ze zadu kolejnice, které jsou umístěny na bocích komor (valců) a vložte dovnitř CFRP podlahové desky.
4. Dokončete nafouknutí všech komor člunu na 100% nebo na tlak 0,25 baru. Hlavní komora člunu má vestavěný přetlakový ventil proti přehuštění.
5. Zajistěte vesla zaklapnutím do zámků vesel.

VYFOUKNUTÍ ČLUNU

Odstraňte vnější krytky ventilů, tak abyste odkryli plastový dřík. Zatlačte dřík dovnitř a otočte ním. Ventil se tak otevře a vzduch se z člunu samovolně vypustí. Před úplným vypuštěním odstraňte a vyjměte podlahové CFRP desky.

Poznámka: Nevyfukujte úplně jednu komoru, zatímco ostatní jsou zcela nafouknuté. Mohlo by dojít k poškození přepážek vašeho člunu.



ÚDRŽBA A SKLADOVÁNÍ

- Před zabalením člunu nechte člun řádně vyschnout. Většinu nečistot lze odstranit zahradní hadicí, houbou a jemným kartáčem. Nepoužívejte agresivní chemické čisticí prostředky.
- K čištění člunu nikdy nepoužívejte leštící nebo čisticí prostředky obsahující alkohol. Mohlo by to vést k degradaci materiálu.
- Skladujte na čistém a suchém místě. Nevystavujte člun extrémním teplotám
- (tj. 65°C / -20°C).
- Pokud váš člun budete skladovat po delší dobu složený v tašce, ujistěte se, že je zcela suchý, nezakrývejte ho a ani ho nenatírejte žádnými impregnačními přípravky.
- Lze skladovat nafouknutý nebo vyfouknutý.
- Pokud skladujete člun venku, skladujte ho nad zemí.
- Pokud bude na přímém slunci nebo vystaven listí, bobulím nebo dešti, zakryjte ho plachtou.
- Zavěšení člunu se nedoporučuje.
- Pokud necháte člun ve vodě, doporučujeme občas vypustit dešťovou vodu.
- Pokud člun skladujete ve skříni, suterénu nebo garáži, doporučujeme vám vybrat chladné a suché místo – jinak se na člunu může vytvořit plíseň.
- Nikdy neskladujte člun s palivem v nádrži přívěsného motoru v místnosti, kde by výpary paliva mohly vzplanout.

ŘEŠENÍ PROBLÉMŮ

1. Netěsnosti

Po 2 nebo 3 dnech může dojít k malému poklesu tlaku v důsledku změn teplot. Pokud se tak stane, připumpujte vzduch do každé komory. Pokud člun ztrácí tlak i na dále, zkontrolujte člun, zda těsní. Začněte kontrolou ventilů. Námí doporučeným nástrojem k nalezení netěsností je mýdlová voda ve spreji. Tuto vodu nastříkejte kolem ventilu. Pokud vidíte, že se na ventilu tvoří bubliny, zkontrolujte sedlo ventilu a jeho základnu. Ujistěte se, že je vložka ventilu pevně přišroubována. Pokud problémy přetrvávají, kontaktujte support@nashtackle.co.uk a objednejte si nové ventily. Výměnu celého ventilu lze provést jednoduchým nástrojem, který je dodáván s náhradním ventilem.

2. Hledání děr

Pokud loď ztrácí vzduch a všechny ventily jsou v pořádku, pravděpodobně došlo k proražení člunu. Malé proražení lze snadno a trvale opravit. Doporučujeme člun přezkontrolovat pomocí navlhčení vodou a poté důkladnému sledování vnitřní a vnější strany člunu a hledáním bublin, které označí místo trhliny. Pokud se vám touthle metodou nepodaří najít únik, nafoukněte člun na maximální tlak a pokuste se naslouchat, abyste našli únik.

Provádění drobných oprav.

Trhliny menší než 3 mm lze opravit jednoduše bez záplaty. Vypusťte člun a poté očistěte a osušte oblast, kterou chcete opravit.

Naneste malou kapku lepidla k zakrytí místa trhliny a nechte ji 12 hodin schnout. Potřebujete-li na vodu dřívě, nechte ji 30 minut schnout a poté komoru člunu s trhlinou nafoukněte pouze z ¼. Upozorňujeme, že tato oprava nemusí být trvalá, proto později přidejte kapku znovu, aby byla trvalá.

3. Trhliny

Vaše loď je standardně vybavena opravnou sadou. Odřízněte kus opravného materiálu, aby překrýval poškozenou oblast přibližně o 12 mm a zaoblete okraje. Naneste naše lepidlo na spodní stranu záplaty a kolem oblasti, kterou chcete opravit. Příliš mnoho lepidla naruší řádnou opravu. Po nanesení lepidla nechte lepidlo 2-4 minuty schnout a poté na poškozenou oblast přiložte kus záplaty s naneseným lepidlem.

Na opravované místo položte závaží 1-2 kg po dobu 12 hodin. Po zaschnutí záplaty naneste lepidlo kolem okrajů pro úplné utěsnění (Nechte schnout další 4 hodiny).

4. Velké a obtížné opravy

Pokud nejste schopni člun samostatně opravit, kontaktujte support@nashtackle.co.uk a my vám poradíme, jak nejlépe opravit váš člun.

5. Pokud uvidíte, že do člunu vniká voda, zkontrolujte následující:

1. Je vypouštěcí ventil otevřený?
2. Funguje správně membrána ve vypouštěcím ventilu?
3. Pršelo nedávno?
4. Je v podlaze díra?

Registrace záruky

Záruku na tento produkt si můžete zaregistrovat online na webu Nash Tackle – www.nashtackle.com nebo navštivte <https://register.nashtackle.co.uk/>. K registraci budete potřebovat oskenovaný nebo ofocený doklad o nákupu.



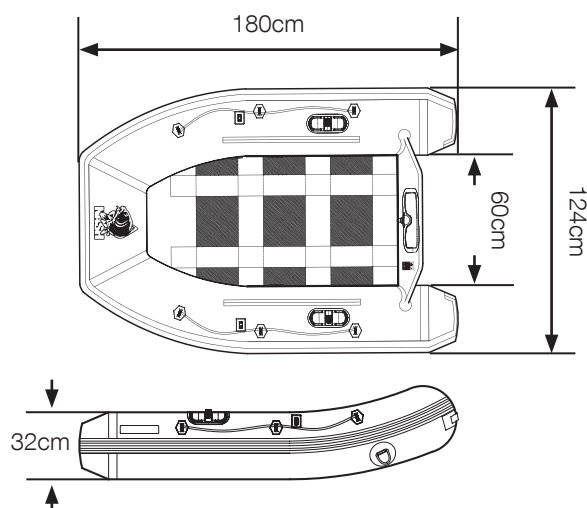
Záruka se nevztahuje na následující:

1. Přehušnění komor více než 0,25 bar/3,63 psi.
2. Přefouknutí vysokotlaké podlahy více než 0.69bar/10psi.
3. Ztráta vzduchu vlivem teplotních rozdílů.
4. Ztráta vzduchu přes tlakový ventil vlivem vysokých letních teplot.
5. Značky během používání zmizí – nejedná se však o závadu.
6. Zbytky lepidla - Všechny čluny Nash jsou ručně vyráběny, proto se může na člunech vyskytovat pozůstatek lepidla.
7. Drobné nedokonalosti na lepených dílech, které nemají vliv na použitelnost.
8. Ztráta tlaku vzduchu v komorách během 48 hodin.
9. Škody způsobené neopatrností při používání např. cigaret, háčků.
10. Poškození způsobené vlečením člunu nebo použitím člunu k tažení jiné lodi/člunu.
11. Škody způsobené použitím rozpouštědel jakéhokoli druhu.
12. Škody způsobené kyselinou z baterie, olejem a palivem.
13. Poškození způsobené lakem na nehty, opalovacím mlékem/olejem.
14. Škody způsobené repelentem proti hmyzu.
15. Škody způsobené nesprávným používáním.
16. Škody způsobené vysokotlakým čištěním.
17. Škody způsobené použitím agresivních čisticích prostředků.
18. Škody způsobené nesprávnou montáží a demontáží člunu.
19. Škody způsobené nevhodným skladováním, špatným větráním.
20. Škody způsobené nedostatečným čištěním a údržbou člunu.
21. Poškození při přepravě.
22. Poškození způsobené použitím tlakových kompresorů k nafouknutí nebo vyfouknutí člunu.
23. Poškození v důsledku běžného opotřebení.
24. Škody způsobené použitím hrubé síly.
25. Škody způsobené zvířaty.
26. Poškození způsobené vodou ve vnitřku komory.
27. Poškození trupu v důsledku neopatrnosti a také vnějšími vlivy.
28. Škody způsobené účastí na závodních akcích jakéhokoli druhu.
29. Škody způsobené použitím neschváleného příslušenství.
30. Škody způsobené překročením maximálního přípustného výkonu KW/HP i povolené hmotnosti motoru.
31. Škody způsobené překročením povoleného užitečného zatížení a doporučeného počtu osob.

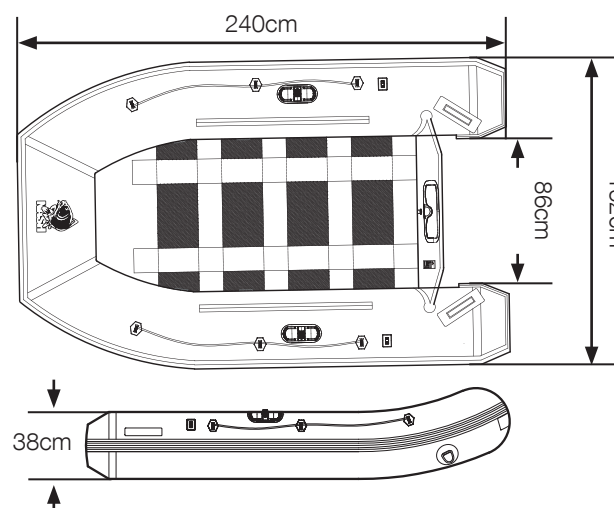
*Vaše zákonná práva zůstanou nedotčena.



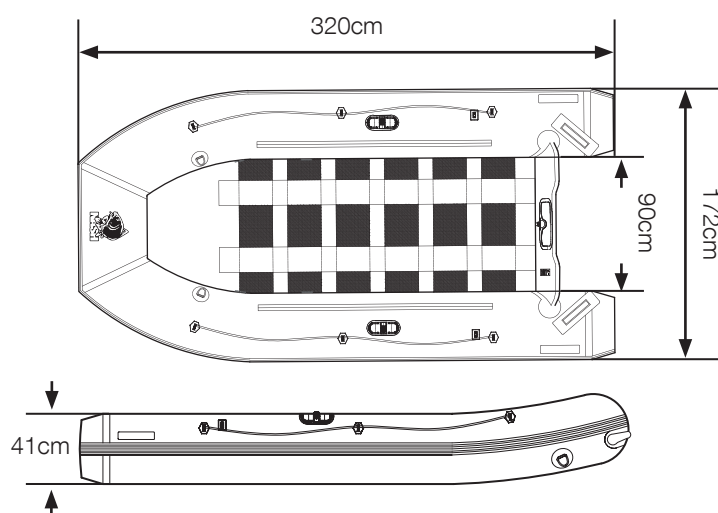
RIB180



RIB240



RIB320



Pokud máte se svým člunem problém, na který se vztahuje záruka, postupujte prosím následovně:

1. Kontaktujte prodejce, kde jste člun zakoupili.
2. Prodejce bude kontaktovat support@nashtackle.co.uk s fotografií a vysvětlením problému spolu s dokladem o koupi.
3. My posoudíme, zda se na problém vztahuje záruka.
4. Po našem potvrzení reklamace, prodejce zažádá o přepravu člunu na naše oddělení podpory, kdy poté zařídíme vyzvednutí člunu kurýrní společností.
5. Poté člun zkontrolujeme a podle toho zajistíme opravu nebo výměnu.

VYSOKOTLAKÁ PODLAHA AIR DECK (*Pouze model 320)

1. Před nafouknutím člunu najděte rovnou plochu a odstraňte z ní všechny ostré předměty.
2. Rozložte člun.
3. Nafoukněte člunu přibližně na 50%.
4. Instalujte lavici na člun, když je člun nafouknutý na cca 50%.
5. Vezměte vysokotlakou podlahu Air Deck, vložte ji dovnitř člunu a nafoukněte ji přibližně na 70% jejího obsahu.
6. Dofoukněte člun na 100%.
7. Poté nafoukněte vysokotlakou podlahu na 100% jejího obsahu vzduchu.

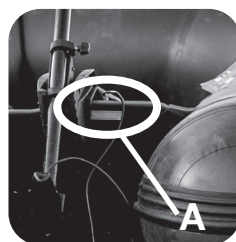
POZNÁMKA: Maximální tlak huštění vysokotlaké podlahy je 10 PSI (0.69 Bar)



(HU)

Gratulálunk az új Nash felfújható csónakjának megvásárlásához. Regisztrálja a csónakot, hogy kihasználja a 24 hónapra meghosszabbított garanciát itt: <https://register.nashtackle.co.uk>

MEGJEGYZÉS: A regisztrálásához szüksége lesz egy, a vásárlást igazoló dokumentum fényképének vagy másolatának feltöltésére. A szériaszám a csónak hátulján található lemezen (diagram).



**2 YEAR
GUARANTEE**



FIGYELEM

- Ne fújja fel teljesen a légkamrákat egyesével, mert ez nem kívánt nyomást helyez a belső válaszfalakra.
- Figyeljen rá, hogy minden kamrában hasonló nyomás legyen, hogy a fő kamrákat elválasztó válaszfalak megfelelően álljanak, így egyenlő nyomás és nagyjából megegyező felfújó méret található a válaszfal két oldalán.
- A túlfújás szerkezeti károsodást okozhat a csónakjában. Ne tegye ki csónakját közvetlen napfénynek, ha az nincs a vízben, mert ez a nyomásnövekedés a csónak sérüléséhez vagy akár a felrobbanásához vezethet.

NASH FELFÚJHATÓ CSÓNAKOK

Köszönjük, hogy Nash felfújható csónakot vásárolt. Kérjük, saját biztonsága és hajója megfelelő gondozása érdekében olvassa el a használati útmutatóban található információkat. Tartsa ezt a kézikönyvet a fedélzeten, ahol száraz marad. Ha eladja hajóját, gondoskodjon arról, hogy a használati útmutatót átadja az új tulajdonosnak.

HAJÓ MŰSZAKI ADATOK

MODELL	PADLÓ	TELJES HOSSZ	TELJES SZÉLESSÉG	LÉGKAMRÁK SZÁMA	TÖMEG	MAX MOTORTELJESÍTMÉNY	MAX TERHELHETŐSÉG (KG)	SZEMÉLYEK SZÁMA	CE-TÁBLA
RIB-180SL	CFRP Lemez	180cm	126cm	2	24.5KG	2.5KW/3.5HP	250	2	ISO 9001:2015
RIB-240SL	CFRP Lemez	240cm	151cm	3	33.5KG	4.4KW/6HP	350	3	ISO 9001:2015
RIB-320SL	CFRP Lemez	320cm	162cm	3	49.5KG	7.5KW/10HP	525	4+1	CE EN6185-2

AZ ÖN HAJÓJA ÉS A KÖRNYEZET

- Mindig az Önt körülvevő környezet tiszteletben tartásával használja csónakját.
- Kerülje a zajküszöb túllépését és a túlzott tkipufogógáz-képződést.
- Hajója hullámokat és zajt kelt, ami káros lehet a természeti környezetre.
- Ismerje meg, értse meg és tartsa be a helyi hajózási törvényeket és előírásokat.

BIZTONSÁGI UTASÍTÁSOK

Olvassa el figyelmesen az utasításokat.

- A Nash felfújható csónakokat nem tengeri használatra tervezték.
- Gondosan olvassa el a választott csónakmotorhoz mellékelt használati útmutatót, ha azt választja.
- A hajó kezelőjének felelőssége, hogy megismerje és ismerje a hajóra vonatkozó törvényeket, és betartsa azokat a használatra és üzemeltetésre nézve.
- A hatályos hatályos törvények
 1. a hajó üzembe helyezési helye
 2. a helyi hatóságok követelményei
 3. a csónak használatának típusa
 4. a napszak
 5. az üzemeltetési feltételek
 6. a hajó mérete, sebessége, útvonala, típusa (teljesítmény, evezők stb.)
 7. a navigációs mód
- A fedélzeten minden utasnak megfelelő ruházatot és mentőmellényt kell viselnie.
- Győződjön meg arról, hogy a hajó alapfelszereltsége (evezők, pompa és javítókészlet) a fedélzeten van. Néha szükség van a kötelező tárgyakon kívüli túlélési felszerelésre.
- A kábítószer vagy alkohol hatása alatt álló egyén nincs abban az állapotban, hogy irányítani tudja a hajót.
- Ne lépje túl a hajógyártó tábláján feltüntetett maximális terhelést és motorteljesítményt.
- Különös figyelmet kell fordítani a szélre és az áramlatokra, mivel ezek változása befolyásolja az üzemanyag-fogyasztást.



- Ha ismeretlen vizeken kíván hajózni, konzultáljon azokkal, akik ismerik a területet a lehetséges veszélyekről és veszélyekről.
- Mindig jelentse a parton tartózkodó személynek az indulás idejét és pontját, az útvonalat és a becsült visszatérési időt.
- Ne navigáljon sötétben vagy veszélyes körülmények között, ha nincs felszerelve megfelelő navigációs fényekkel.
- Ne használjon sűrített levegőt a csónak felfújásához. A túlzott felfújás a varratok és/vagy a falak megrepedését okozhatja.
- A körülményektől függ, hogy evezőt vagy kis külső motort használjon. Előfordulhat, hogy a teljesítmény nem elegendő az áramlatok, kis csatornák vagy sekély víz ellensúlyozására.
- Tartsa be a hajója maximális teljesítményét. A túl erős motor a manőverezési képességet és a stabilitást veszélyeztetheti.
- Szerelje fel külmotorját vészleállító kapcsoló kábelrel. Ez a kapcsoló leállítja a motort, ha a kezelő bármilyen okból meghúzná a vezetékét.
- Rendszeresen ellenőrizze, hogy a motor megfelelően van-e rögzítve. A meglazult csavarok irányíthatatlanná tehetik a járművet, vagy a motor leválását eredményezhetik!

NAVIGÁCIÓS FIGYELMEZTETÉSEK

- Minden utasnak a hajóban kell ülnie, és képesnek kell lennie egy vagy mindkét kezével kapaszkodni. Ne üljön a légkamrára.
- A külső motorok veszélyesek. A motor durva kezelése súlyos sérüléshez vagy halálhoz vezethet.
- Soha ne szereljen fel csónakot olyan motorral, amelyhez nem alkalmas. Tartsa távol az úszókat, és ne engedje, hogy a csónak hátulja felé közeledjenek, amikor a motor jár.
- Kerülje a hirtelen gyorsításokat, amelyek az utasok átesését okozhatják.
- A súlyt egyenletesen kell elosztani. Ne gyorsítson hirtelen, ha csónakja motoros és nincs erősen terhelve. A rosszul irányított hajó stabilitási és manőverezési problémákat okozhat.
- Kerülje el a homokos partokat és a sekély vizet, vagy nagyon óvatosan közelítse meg.
- Ha az egyik kamra kilyukad, helyezze át a csónak terhét az ellenkező oldalra. Kézzel vagy hevederrel próbálja korlátozni a szivárgást, és a lehető leggyorsabban menjen a legközelebbi biztonságos kikötőhely felé.
- Ne engedje, hogy gyermekek felnőtt felügyelete nélkül vezessék a hajót.
- Evezőt mindig a helyére pattintva vigye magával..

DOKKOLÁS

- Ne használja a motort, amikor kiáll a partra.
- Kerülje az éles tárgyakat, amikor kikötőbe vagy partra érkezik.
- Ne húzza a csónakot sziklákon, homokon, zsindeken vagy kátrányos felületeken.
- Mindig emelje fel a csónakot.
- Fedje le a csónakot, ha hosszú ideig kint hagyja a napon a vízben.
- Ha a csónakot a parton hagyja, hagyja a csónak egy részét a vízben, hogy lehűtse a hajót és elkerülje a légkamra túlnyomását.
- Nem ajánlott a csónak vontatása, az első gyűrű csak a kikötésre vagy a horgonyzsinór rögzítésére szolgál.

LÁBPUMPA

FIGYELEM:

- Ne használjon sűrített levegőt a csónak felfújásához. A túlzott felfújás a varratok és/vagy falak megrepedését okozhatja.
- Használja a speciálisan kialakított pumpát a hajó felfújásához.
- A lábpumpa képes biztosítani a csónak teljes felfújásához szükséges légnyomást. A felfújáshoz dugja be a tömlőt a szivattyú kimeneti nyílásába. Javasoljuk, hogy a biztonság érdekében mindig vigye magával a lábpumpát.
- Mielőtt hosszú útra indulna, fújja fel a csónakot 24 órán keresztül, hogy megbizonyosodjon arról, hogy minden kamra teljesen légmentesen zár.

VIGYÁZAT:

Beszállás előtt mindig ellenőrizze, hogy a hajó megfelelően fel van-e fújva.



CFRP LEMEZPADLÓ ÖSSZESZERELÉSI ÚTMUTATÓ

1. Szabadítson fel egy sík helyet (ügyeljen arra, hogy az tiszta és éles tárgytól mentes legyen) a csónak kinyitásához. Vegye ki a hajótestet a dobozból, és vegye ki a csónakzsákból. Tekerje le a hajótestet úgy, hogy lapos legyen.
2. Fújja fel a csónakot a nagynyomású lábpumpával 90%-ra. Kezdje el felfújni a csónakot a túlnyomásos biztonsági szeleppel rendelkező légkamránál.

Megjegyzés: Ne használjon légkompresszort. A jótállás nem vonatkozik a légkompresszor túlzott felfújása miatt a hajóban okozott károokra.

3. Szerelje fel az ülést úgy, hogy az ülés alján lévő karimákat az oldalsó kamrákon található sínekre csúsztatja.
4. Fejezze fel az összes hajótest kamráját 100%-ra vagy 0,25 bar nyomásra. A hajó főkamráján beépített túlnyomásszelep van a nagyobb biztonság érdekében.
5. Rögzítse az evezőket az evezőzárakba pattintva.

LEENGEDÉS

Távolítsa el a külső szelepszakácsokat, hogy szabaddá tegye a belső szelep műanyag szárát. Nyomja be a szelepszárát a légnyomás feloldásához, majd forgassa el a szelep nyitott helyzetbe zárásához. A levegő teljes kiengedése előtt eressze le a hajótest minden kamráját 50-75%-ra.

Megjegyzés: Ne engedje le teljesen az egyik kamrát, miközben a többi teljesen fel van fújva. Ez károsíthatja a hajó v/ álaszfalait.

KARBANTARTÁS ÉS TÁROLÁS

- Tisztítsa meg a kamrákat a homoktól és a laza szennyeződésektől, és hagyja megszáradni, mielőtt teljesen elcsomagolja. A legtöbb szennyeződés eltávolítható kerti tömlővel, szivaccsal és enyhe szappannal. Ne használjon erős vegyi tisztítószereket.
- Soha ne használjon alkoholt tartalmazó fényesítő- vagy tisztítószereket a vízi jármű tisztításához. Ez a légkamra anyagának lebomlásához vezethet.
- Tárolja tiszta és száraz helyen. Ne tárolja szélsőséges hőmérsékleten (pl. 65 (felett/-12)
- alatt).
- Ha a csónakot hosszú ideig összecsukva tárolja a táskában, győződjön meg róla, hogy teljesen száraz, és ne takarja be vagy vonja be hintőporral vagy más hasonló szerrel.
- Felfújva vagy leeresztve tárolható.
- Ha kint marad, tanácsos felemelni a csónakot a talajról.
- Ha közvetlen napfénynek, vagy leveleknek, bogyóknak vagy esőnek van kitéve, takarja le ponyvával.
- A csónak felakasztása nem javasolt.
- Ha a csónakot a vízben hagyja, valószínűleg időnként ki kell engednie az esővizet. Ha szekrényben, pincében vagy garázsban tárolja, azt javasoljuk, hogy válasszon hűvös, száraz helyet, és győződjön meg róla, hogy a csónak tiszta és száraz, mielőtt becsomagolja - különben penész gyűlhet fel.
- Soha ne tároljon üzemanyagot tartalmazó csónakot olyan helyiségben, ahol az üzemanyag gőzei lángot, szikrát vagy erős hőforrást érhetnek el.

HIBAEHÁRÍTÁS

1. Szivárgás

2 vagy 3 nap elteltével a hőmérséklet változása miatt kismértékben csökkenhet a nyomás. Ha igen, fújjon egy kis levegőt minden kamrába. Ha csökken a légnyomás, és ez nem a hidegebb hőmérséklet miatt van, ellenőrizze a hajó szivárgását, kezdve a szelepekkel. A szivárgások megtalálásának legjobb eszköze a szórófejes palackban lévő szappanos víz. Javasoljuk, hogy a szappant és a vizet keverje össze egy szórófejes palackban. Permetezzen a szelep köré. Ha buborékokat lát, ellenőrizze a szelepülést és a talpat, és ellenőrizze, hogy a szelepbetét szorosan meg van-e csavarva. Ha továbbra is problémái vannak, írjon a support@nashackle.co.uk címre új szelepek rendeléséhez. A teljes szelep cseréje elvégezhető egy egyszerű szerszámmal, amelyhez egy csereszelep is tartozik.

2. Defektek megtalálása

Ha a csónak levegőt veszít, és az összes szelep légmentes, akkor valószínűleg egy kis defektje van. A kis defektek könnyen és tartósan javíthatók. Permetezze körbe a hajótest belső és külső részeit, amíg a légbuborékok nem jelzik a szivárgás helyét. Ha talál lassú légbuborékos szivárgást, fújja fel a csónakot a maximális légnyomásra, és próbáljon meg figyelni, hogy megtalálja a szivárgást. Ha szűkíteni tudja a területet, térjen vissza egy spray-palackkal, hogy azonosítsa a szivárgás forrását.

Kisebb javítások elvégzése

A 3 mm-nél kisebb lyukak egyszerűen javítás nélkül orvosolhatók. Eressze le a csónakot, majd tisztítsa meg a száraz és javítandó területet.

Vigyen fel egy kis csepp ragasztót a szűrés befedésére, és hagyja száradni 12 órán át. Ha hamarabb kell vízre szállni, hagyja 30 percig száradni, majd fújja fel a csónakot, a javítással csak 3/4-ig fújja fel a rekeszt. Előfordulhat, hogy ez a javítás nem végleges, ezért adjon hozzá egy cseppet egy későbbi időpontban, hogy véglegessé tegye.

3. Szakadások vagy repedések

Hajójához alapfelszereltségként egy javítókészlet tartozik. Vágjon le egy elég nagy darab javítóanyagot ahhoz, hogy körülbelül 12 mm-rel átfedje a sérült területet, és kerekítse le a széleket. Vigye fel a ragasztót a tapasz aljára és a javítandó terület környékére. A túl sok ragasztó zavarja a megfelelő javítást. Hagyja a ragasztót 2-4 percig száradni, majd helyezze fel a foltot a sérült területre.

Használjon súly 1,5-2kg nyomás alkalmazásához 12 órán át. Miután a tapasz megszáradt, vigyen fel ragasztót a szélekre a teljes tömítés érdekében (4 óra alatt megszárad).

4. Nagy és nehéz javítások

Nehéz javítások esetén írjon a support@nashtackle.co.uk címre, és tanácsot adunk a hajójavítás legjobb módjáról.

5. Ha azt látja, hogy víz folyik a csónakba, ellenőrizze a következőket:

1. Nyitva van a leeresztőszelep?
2. Megfelelően működik a leeresztőszelep membránja?
3. Esett mostanában?
4. Van lyuk a padlón?

Garanciális regisztráció

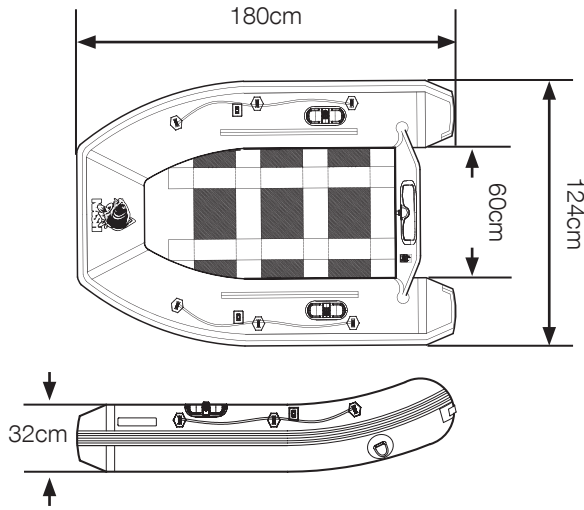
Garanciát regisztrálhat erre a termékre online a Nash Tackle webhelyén - www.nashtackle.com, kövesse a termék weboldalán található termékregisztrációs utasításokat, vagy látogasson el a <https://register.nashtackle.co.uk/> oldalra. Szüksége lesz egy a vásárlást igazoló dokumentum beolvasására vagy fényképére a regisztráció befejezéséhez.

A garancia nem terjed ki a következőkre:

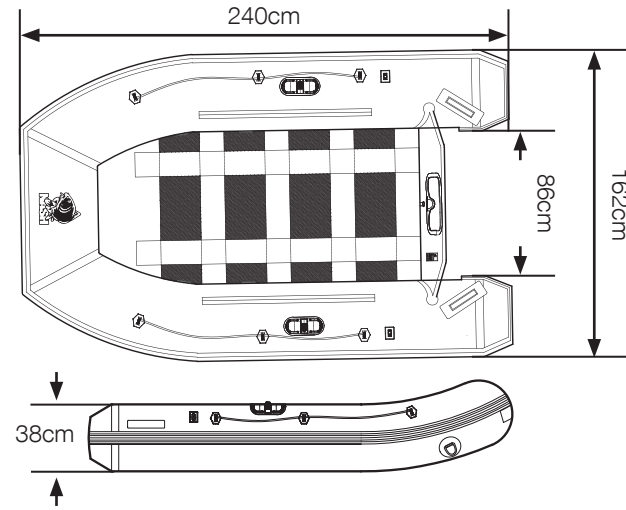
1. A kamrák túlfújása 0,25bar/3,63psi fölé.
2. A légpadró túlfújása 0.69bar/10psi fölé.
3. Levegővesztés a hőmérséklet-különbségek miatt
4. Levegővesztés a nyomászelepen keresztül meleg körülmények között
5. Hajtogatási nyomok. Ez normális, és használat közben eltűnnek.
6. Ragasztómaradék. Minden Nash csónak kézzel készült, és az alkalmankénti ragasztónyomok láthatók lehetnek.
7. A ragasztott részek apró hibák, amelyek a használhatóságot nem befolyásolják.
8. Alacsony levegővesztés 48 órán belül (akár 20% levegővesztés az üzemi nyomáshoz képest).
9. Gondatlan használatból eredő károk, pl. cigaretta, horog.
10. Csónakja vontatásából vagy másik hajó vontatásából adódó károk.
11. Bármilyen oldószer használata által okozott károk
12. Akkumulátorsav, olaj és üzemanyag által okozott károk.
13. Körömlakk, naptej/olaj okozta károsodás.
14. Rovarriasztó okozta károk.
15. Nem rendeltetésszerű használatból eredő károk.
16. Nagynyomású tisztítás okozta sérülések.
17. Agresszív tisztítószer használata által okozott károk.
18. A csónak helytelen össze- és szétszerelése által okozott károk.
19. Nem megfelelő tárolás, rossz szellőzés okozta károk.
20. A hajó nem megfelelő tisztítása és karbantartása által okozott károk.
21. Kár szállítás közben.
22. A csónak felfújására vagy leeresztésére szolgáló nyomáskompresszorok használata által okozott károk.
23. Normál elhasználódásból eredő sérülések.
24. Erőhasználattal okozott kár.
25. A csónakon vagy a hajóban lévő állatok által okozott kár.
26. Víz által okozott károsodás a cső belsejében.
27. A hajótest sérülése gondatlanságból, valamint külső hatásokból.
28. Bármilyen versenyen való részvétel által okozott kár.
29. Nem jóváhagyott tartozékok használata által okozott károk.
30. A megengedett legnagyobb teljesítmény KW/LE, valamint a megengedett motortömeg túllépéséből adódó károk.
31. A megengedett terhelhetőség és az ajánlott létszám túllépéséből eredő károk.

* Törvényes jogait ez nem érinti.

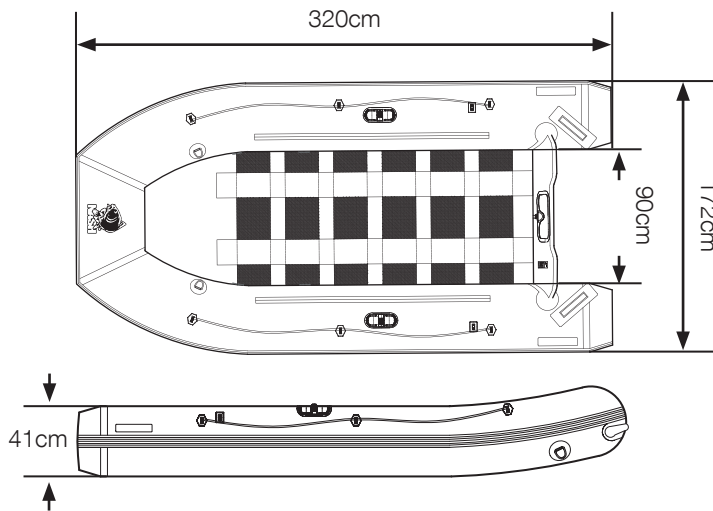
RIB180



RIB240



RIB320



Ha olyan problémája van a hajóval, amelyre a garancia vonatkozik, a következők szerint kell eljárnia:

1. Lépjen kapcsolatba a vásárlás helyével, és magyarázza el a problémát.
2. A kereskedőnek fel kell vennie a kapcsolatot a support@nashtackle.co.uk címmel egy fényképpel és a probléma magyarázatával, valamint a vásárlást igazoló bizonylattal.
3. Megerősítjük, hogy a probléma a garancia hatálya alá tartozik-e.
4. A visszaigazolást követően a kereskedőnek küldenie kell egy visszaküldési kérelmet a támogatási osztálynak, és mi megszervezzük a hajó visszaküldését.
5. Ezt követően felülvizsgáljuk a hajót, és ennek megfelelően gondoskodunk a javításról vagy a cseréről.

AZ OPCIONÁLIS LÉGPADLÓ FELFÚJÁSA (*CSAK A RIB 320 ESETÉN)

1. Keressen egy sík felületet, ahol a csónakot össze fogja rakni, távolítsa el minden éles tárgyat
2. Hajtsa ki és nyissa ki teljesen laposan a csónakot
3. Fújja fel mindhárom légkamrát nagyjából 50%-os állapotúra
4. Ha az ülést kívánja használni, akkor azt 50%-ra felfújt állapotban helyezze fel
5. Helyezze be a légpadrót a csónak alapjára és fújja fel nagyjából 70%-os állapotúra
6. Fújja fel mindhárom légkamrát 100%-os állapotúra
7. Fújja fel a légpadrót 100%-os állapotúra

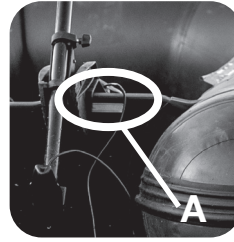
MEGJEGYZÉS: A maximális nyomása a légpadrónak 10 PSI (0.69 Bar)

(ES)



Enhorabuena por la compra de una Embarcación Neumática Nash. Registre aquí su embarcación para beneficiarse de una garantía ampliada de 24 meses: <https://register.nashtackle.co.uk>

NOTA: Para el registro se le pedirá que suba una foto o una copia escaneada de su prueba de compra. El número de serie se encuentra en la placa de la parte trasera de la embarcación (ver diagrama A).



**2 YEAR
GUARANTEE**



ADVERTENCIA

- No infle una cámara de la embarcación por completo de primeras, ya que esto provoca una tensión innecesaria en la mampara interior.
- Mantenga un equilibrio similar de aire en cada cámara para que las mamparas que dividen las cámaras de aire principales se mantengan de manera que haya una presión igual y un tamaño de inflado aproximado en cada lado.
- Un inflado excesivo puede causar daños estructurales a su embarcación. No permita que su embarcación se encuentre bajo la luz directa del sol cuando esté fuera del agua, ya que esto puede causar una expansión hasta el punto de dañar o reventar.

BARCAS HINCHABLES NASH

Gracias por comprar una barca hinchable Nash. Lea la información de esta guía del usuario por su propia seguridad y el correcto cuidado de su embarcación. Mantenga este manual a bordo donde permanezca seco. Si vende su embarcación, asegúrese de entregar la guía del usuario al nuevo propietario.

ESPECIFICACIONES DE LAS BARCAS

MODELO	SUELO	LONGITUD GENERAL	ANCHO GENERAL	Nº DE CÁMARAS	PESO NETO	POTENCIA MAXIMA	CARGA MAXIMA (KG)	CAPACIDAD MAXIMA DE PERSONAS	PLACA-CE
RIB-180SL	CFRP Slat	180cm	126cm	2	24.5KG	2.5KW/3.5HP	250	2	ISO 9001:2015
RIB-240SL	CFRP Slat	240cm	151cm	3	33.5KG	4.4KW/6HP	350	3	ISO 9001:2015
RIB-320SL	CFRP Slat	320cm	162cm	3	49.5KG	7.5KW/10HP	525	4+1	CE EN6185-2

TU BARCA Y EL MEDIO AMBIENTE

- Utilice siempre su embarcación con respeto por el entorno que le rodea.
- Evite superar el umbral de ruido y producir vapores de combustible excesivos
- Su embarcación genera olas y ruidos que pueden ser perjudiciales para el entorno natural.
- Aprender, comprender y cumplir con las leyes y reglamentos locales de navegación.

INSTRUCCIONES DE SEGURIDAD

Lea las instrucciones cuidadosamente..

- Los botes inflables Nash no están diseñados para uso en el mar.
- Lea detenidamente el manual de instrucciones proporcionado con el motor fuera de borda de su elección en caso de que decida utilizar uno.
- Es responsabilidad del operador de la embarcación aprender, conocer y cumplir las leyes aplicables a una embarcación
- Debe ser equipado y operado.
- Las leyes y reglamentos vigentes aplicables pueden cambiar y diferir de acuerdo con los siguientes factores:
 1. El lugar donde se encarga el barco
 2. Los requisitos de las autoridades locales
 3. El tipo de uso de la embarcación
 4. La hora del día
 5. Las condiciones de funcionamiento
 6. El tamaño, la velocidad, la ruta, el tipo de embarcación (motor, remos, etc.)
 7. El modo de navegación
- Todos los pasajeros a bordo deben usar ropa adecuada y tener un chaleco salvavidas.
- Asegúrese de que el equipo estándar del barco (remos, bomba de aire y kit de reparación) está a bordo. A veces es necesario un equipo de supervivencia que no sea el obligatorio.
- Un individuo bajo la influencia de drogas o alcohol no está en condiciones de pilotar una embarcación.



- No exceda la clasificación de carga máxima y la potencia máxima del motor indicada en la placa del fabricante de la embarcación.
- Se debe prestar especial atención al viento y las corrientes, ya que su variación afectará el consumo de combustible.
- Si planea navegar en aguas desconocidas, consulte con las personas familiarizadas con el área acerca de los posibles riesgos y peligros.
- Informe siempre de su hora y punto de partida, su ruta y su hora estimada de regreso a alguien en tierra.
- No navegue en la oscuridad o en condiciones peligrosas si no se ha instalado la iluminación de navegación correcta.
- No utilice una fuente de aire comprimido para inflar la embarcación. El exceso de inflación puede hacer que las costuras y/o las paredes se rompan.
- El uso de remos o de un pequeño motor fuera de borda depende de las condiciones. Es posible que la potencia no sea suficiente para contrarrestar las corrientes, los canales pequeños o las aguas poco profundas.
- Respete la potencia nominal máxima de su embarcación. Un motor demasiado potente puede provocar riesgos de maniobrabilidad y estabilidad.
- Equipe su motor fuera de borda con un cable de apagado de emergencia. Este interruptor detendrá el motor si el operador tira del cable, por cualquier motivo.
- Compruebe periódicamente que el motor esté bien sujeto. ¡Los tornillos sueltos pueden hacer que la embarcación sea incontrolable o que el motor se suelte!

ADVERTENCIAS DE NAVEGACIÓN

- Todos los pasajeros deben estar sentados dentro del bote y deben poder sostenerse con una o ambas manos. No se sienten en las cámaras de aire.
- Los motores fuera de borda son peligrosos. El manejo brusco de su ténder puede provocar lesiones graves o la muerte.
- Nunca equipe una embarcación con un motor para el que no esté adaptado. Manténgase alejado de los bañistas y no permita que se acerquen a la parte trasera de la embarcación cuando el motor esté en marcha.
- Evite las aceleraciones rápidas que pueden causar que los pasajeros caigan por la borda.
- El peso debe distribuirse uniformemente. No acelere repentinamente si su embarcación está motorizada y no está muy cargada. Un barco mal controlado puede resultar en problemas de estabilidad y maniobra.
- Evite bancos de arena y aguas poco profundas o acérquese con extrema precaución.
- Si una de las cámaras se perfora, cambie la carga de la embarcación al lado opuesto. Trate de limitar la fuga con la mano o una correa y diríjase a la zona de aterrizaje segura más cercana lo más rápido posible.
- No permita que los niños conduzcan el bote sin la supervisión de adultos.
- Lleve siempre los remos encajados en su lugar.

RECOMENDACIONES EN LA ORILLA

- No utilice el motor al llegar a la orilla.
- Evite los objetos afilados cuando llegue al muelle o a la orilla.
- No arrastre la embarcación sobre rocas, arena, guijarros o superficies alquitranadas.
- Lleve siempre el bote.
- Cubra la embarcación cuando la deje al sol fuera del agua por largos periodos de tiempo.
- Si deja el barco en una orilla, deje parte del barco en el agua para enfriarlo y evitar la sobre presión de la cámara de aire.
- No se recomienda remolcar la embarcación, el anillo frontal es solo para amarrar o asegurar una línea de ancla.

ADVERTENCIA

BOMBA DE PIE:

- No utilice una fuente de aire comprimido para inflar la embarcación. El exceso de inflación puede hacer que las costuras y/o las paredes se rompan.
- Utilice la bomba especialmente diseñada para inflar su bote.
- La bomba de pie puede proporcionar la presión de aire necesaria para inflar completamente su embarcación. Para inflar, inserte el tubo en el orificio de salida de la bomba. Le recomendamos que siempre lleve su bomba de pie a bordo por seguridad.
- Antes de emprender un viaje largo, infle el bote durante 24 horas completas para asegurarse de que todas las cámaras estén completamente herméticas.

PRECAUCIÓN:

Antes de embarcar, compruebe siempre que la embarcación esté adecuadamente inflada.





INSTRUCCIONES DE MONTAJE DEL BARCO CON CUBIERTA DE LAMAS DE PRFC

1. Despeja un espacio plano (asegurándote de que esté limpio y libre de objetos afilados) para desplegar tu bote. Retire el casco de su caja y sáquelo de la bolsa del barco. Desenrolle el casco para que quede plano.
2. Infle la embarcación con la bomba de pie de alta presión al 90 %. Comience a inflar el barco en la sección del tubo con la válvula de seguridad de sobrepresión.

Nota: No utilice un compresor de aire. La garantía no cubre los daños a su embarcación causados por un inflado excesivo de un compresor de aire.

3. Instale el asiento de deslizando las bridas en la parte inferior del asiento sobre los rieles ubicados en los flotadores laterales.
4. Termine de inflar todas las cámaras del casco al 100% o 0,25 bar de presión. El tubo principal de los barcos tiene una válvula de sobrepresión incorporada para mayor seguridad.
5. Asegure los remos enganchándolos en las trabas de los remos.

DESINFLADO

Retire las tapas de las válvulas exteriores para exponer el vástago de plástico de la válvula interior. Presione el vástago para liberar la presión de aire y gírelo para bloquear la válvula en la posición abierta. Desinfe cada cámara del casco al 50-75 % antes de desinflar completamente el aire.

Nota: No desinfe una cámara por completo mientras otras están completamente infladas. Esto podría dañar los mamparos de su embarcación.

MANTENIMIENTO Y ALMACENAMIENTO

- Limpiar la manguera de la arena y la suciedad suelta y dejar secar antes de guardarla por completo. La mayor parte de la suciedad se puede eliminar con una manguera de jardín, una esponja y un jabón suave. No utilice limpiadores químicos agresivos.
- Nunca use productos de pulido o limpieza que contengan alcohol para limpiar su embarcación. Si lo hace, puede provocar la degradación del material de la cámara de aire.
- Almacenar en un lugar limpio y seco. No almacene en temperaturas extremas (es decir, más de 150F/menos - 10F).
- Si guarda su embarcación plegada en la bolsa durante períodos prolongados, asegúrese de que esté completamente seca, no cubra ni cubra con talco u otros polvos similares.
- Se puede guardar inflado o desinflado.
- Si se deja en el exterior es recomendable levantar la embarcación del suelo.
- Si va a estar bajo la luz directa del sol o expuesto a hojas, bayas o lluvia, cúbralo con una lona.
- No se recomienda colgar el barco.
- Si deja el bote en el agua, probablemente tendrá que drenar el agua de lluvia de vez en cuando. Si lo guarda en un armario, sótano o garaje, le sugerimos que elija un lugar fresco y seco, asegurándose de que el bote esté limpio y seco antes de empacarlo, o se puede acumular moho.
- Nunca almacene una embarcación con combustible en el tanque en una habitación donde los vapores de combustible puedan alcanzar una llama, chispa o una fuerte fuente de calor.

SOLUCIÓN DE PROBLEMAS

1. Fugas

Después de 2 o 3 días puede haber una pequeña disminución de presión debido al cambio de temperatura. Si es así, agregue algunas bombas de aire en cada cámara. Si está perdiendo presión de aire, y no se debe a temperaturas más bajas, revise la embarcación en busca de fugas, comenzando con las válvulas. La mejor herramienta para encontrar fugas es agua jabonosa en una botella de spray. Recomendamos mezclar agua y jabón en una botella con atomizador. Pulverizar alrededor de la válvula. Si ve que se forman burbujas, verifique el asiento y la base de la válvula y asegúrese de que el inserto de la válvula esté bien atornillado. Si sigue teniendo problemas, póngase en contacto con support@nashtackle.co.uk para pedir válvulas nuevas. El reemplazo de toda la válvula se puede realizar con una herramienta simple que viene con una válvula de reemplazo.

2. Encontrar pinchazos

Si el barco pierde aire y todas las válvulas son herméticas, probablemente tengas un pequeño pinchazo. Los pequeños pinchazos se pueden reparar fácil y permanentemente. Rocíe alrededor del interior y el exterior del casco hasta que las burbujas de aire marquen la posición de la fuga. Si no tiene suerte para encontrar una fuga lenta con burbujas de aire, infle el bote a la máxima presión de aire y trate de escuchar para encontrar la fuga. Si puede reducir el área, regrese con una botella de spray para identificar la fuente de la fuga.

Haciendo pequeñas reparaciones.

Los pinchazos de menos de 3 mm/1/8" de tamaño se pueden reparar simplemente sin un parche. Desinfe su bote, luego limpie y seque el área a reparar.

Aplice una pequeña gota de pegamento para cubrir el pinchazo y déjelo secar durante 12 horas. Si necesitas entrar antes al agua, déjalo secar durante 30 minutos y luego infla el bote, inflando el compartimiento con la reparación solo 3/4 de su capacidad. Es posible que esta reparación no sea permanente, así que agregue una gota nuevamente en una fecha posterior para que sea permanente..

3. Rasgaduras

Su barco viene con un kit de reparación como equipo estándar. Corte un trozo de material de reparación lo suficientemente grande como para superponer el área dañada en aproximadamente 12 mm / 1/2" y redondee los bordes. Aplique nuestro pegamento en la parte inferior del parche y alrededor del área a reparar. Demasiado pegamento interferirá con una reparación adecuada. Deje que el adhesivo se vuelva pegajoso durante 2 a 4 minutos y luego coloque el parche en el área dañada.

Use un peso para aplicar 3-5 lbs. de presión durante 12 horas. Después de que el parche se haya secado, aplique pegamento alrededor de los bordes para un sellado completo (seque en 4 horas).



4. Reparaciones grandes y difíciles

Si tiene una reparación difícil, comuníquese con support@nashtackle.co.uk y le asesoraremos sobre la mejor manera de reparar su embarcación..

5. Si ve que entra agua en el bote, verifique lo siguiente::

1. Está abierta la válvula de drenaje
2. Funciona correctamente el diafragma de la válvula de drenaje
3. Ha llovido recientemente
4. Hay un pinchazo en el suelo

Registro de garantía

Puede registrar la garantía de este producto en línea en la página web de Nash Tackle www.nashtackle.com, siga las instrucciones para el registro del producto en la página de listado de productos o visitando <https://register.nashtackle.co.uk/> Necesitará un escaneo o foto de su ticket de compra para completar el registro.

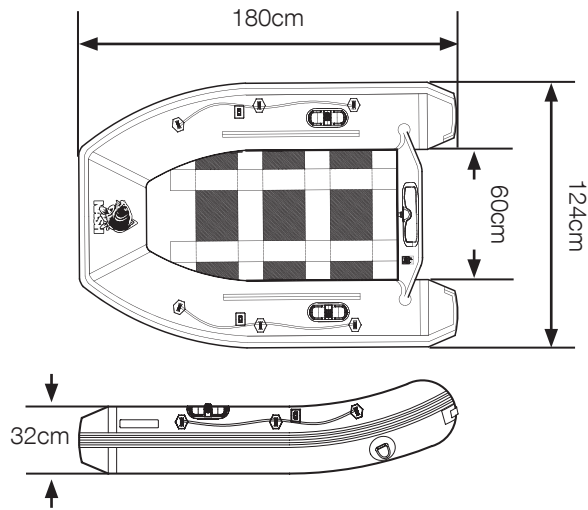
La garantía no cubre lo siguiente:

1. Inflado excesivo de los tubos no más de 0,25 bar/3,63 psi
2. Inflado excesivo de la plataforma de aire no más de 0.69bar/10psi.
3. Pérdida de aire por diferencias de temperatura
4. Pérdida de aire a través de la válvula de presión en condiciones de calor.
5. Marcas de plegado. Esto es normal y desaparecerán durante el uso.
6. Residuo de pegamento. Todos los botes Nash están hechos a mano y es posible que se vean marcas de pegamento ocasionales.
7. Pequeñas imperfecciones en las partes pegadas, que no afectan la usabilidad.
8. Baja pérdida de aire en 48 horas (hasta un 20 % de pérdida de aire en comparación con la presión de funcionamiento).
9. Daños causados por descuido en el uso, por ejemplo, cigarrillos, anzuelos.
10. Daños causados por remolcar su bote o usar su bote para remolcar otro bote.
11. Daños causados por el uso de solventes de cualquier tipo
12. Daños causados por el ácido de la batería, el aceite y el combustible.
13. Daños causados por esmalte de uñas, bronceador/aceite.
14. Daños causados por repelente de insectos.
15. Daños causados por un uso inadecuado.
16. Daños causados por la limpieza a alta presión.
17. Daños causados por el uso de productos de limpieza agresivos.
18. Daños causados por un montaje y desmontaje incorrecto de la embarcación.
19. Daños causados por almacenamiento inadecuado, mala ventilación.
20. Daños causados por una limpieza y mantenimiento inadecuados de la embarcación.
21. Daños en tránsito.
22. Daños causados por el uso de compresores de presión para inflar o desinflar la embarcación.
23. Daños debidos al uso y desgaste normal.
24. Daños causados por el uso de la fuerza.
25. Daños causados por animales sobre o dentro de la embarcación.
26. Daños causados por agua en el interior del tubo.
27. Daños en el casco por descuido, así como por influencias externas.
28. Daños causados por la participación en carreras de cualquier tipo.
29. Daños causados por el uso de accesorios no aprobados.
30. Daños causados por exceder la potencia máxima admisible KW/HP así como el peso admisible del motor.
31. Daños causados por exceder la carga útil permitida y el número recomendado de personas.

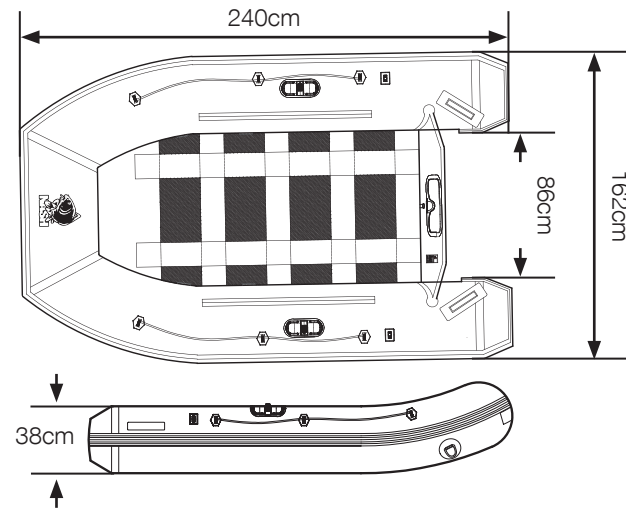
*Sus derechos legales no se verán afectados.



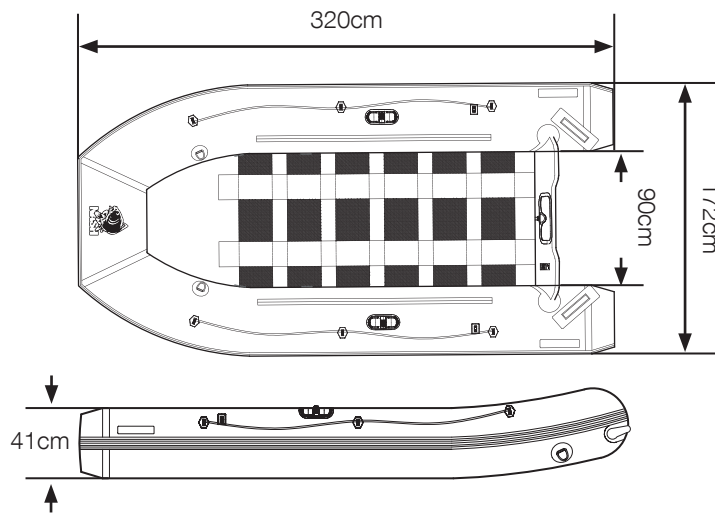
RIB180



RIB240



RIB320



Si tiene un problema con su barco que está cubierto por la garantía, debe proceder de la siguiente manera:

1. Póngase en contacto con su lugar de compra y explique el problema.
2. El minorista deberá ponerse en contacto con support@nashtackle.co.uk con una fotografía y una explicación del problema junto con el comprobante de compra.
3. Confirmaremos si el problema está cubierto por la garantía.
4. Una vez confirmado, el minorista debe enviar una solicitud de devolución por mensajería al Departamento de soporte y organizaremos la recogida del barco.
5. Luego revisaremos el barco y organizaremos la reparación o el reemplazo según corresponda.

INFLADO DEL OPCIONAL AIR DECK (*COMPATIBLE SOLO CON EL MODELO 320)

1. Busque una superficie plana para montar la embarcación, retirando cualquier objeto punzante
2. Despliegue y extienda la embarcación
3. Infle los tubos de la embarcación en la proa, estribor y babor hasta aproximadamente el 50% de su capacidad
4. Cuando quiera utilizar el asiento, colóquelo cuando los tubos de la embarcación estén inflados al 50% aproximadamente
5. Coloque el suelo hinchable en la base de la embarcación e inflela al 70% aproximadamente
6. Infle los tubos de proa, estribor y babor al 100%.
7. Infle el suelo al 100%.

NOTA: La presión máxima de inflado del Air Deck es de 10 PSI (0.69 Bar)







Kevin Nash Group Limited
Units 18-21 Burnham Business Park
Burnham-on-Crouch, Essex CM0 8TE

Dystrybutor: Nash Tackle Sp. Z o.o.
Ul. Familijna 54, 44-244 Żory, Polska
Vateu: PI6423203392

WWW.NASHTACKLE.COM

MADE IN CHINA

